

HC-B 16-TFQ-N-O1STM25G - Housing



1460128

<https://www.phoenixcontact.com/us/products/1460128>

Please be informed that the data shown in this PDF document is generated from our online catalog. Please find the complete data in the user documentation. Our general terms of use for downloads are valid.



HEAVYCON B16 sleeve housing, for double locking latch, height: 65 mm, with 1 x M25 thread, straight cable outlet

Commercial data

Item number	1460128
Packing unit	1 pc
Note	Made to order (non-returnable)
Sales key	BF55
Product key	BF7AAC
Catalog page	Page 514 (C-4-2013)
GTIN	4046356696067
Weight per piece (including packing)	185.9 g
Weight per piece (excluding packing)	175 g
Customs tariff number	85389099
Country of origin	DE

HC-B 16-TFQ-N-O1STM25G - Housing



1460128

<https://www.phoenixcontact.com/us/products/1460128>

Technical data

Notes

General	For contact inserts HC-B16, BB32, BBB40, D40, DD72, HS6, M, K
---------	---------------------------------------------------------------

Product properties

Product type	Housing with locking latch
Housing type	Sleeve housing
Application	Standard
Type	B16
No. of cable outlets	1
Type of the screw connection	1x M25
Shielded	no
Cable outlet	straight
Pg screw connection	none

Dimensions

Dimensional drawing	
Width	43 mm
Height	65 mm
Length	94 mm

Material specifications

Housing material	die-cast aluminum
Housing surface material	Powder-coated, gray

Mechanical properties

Mechanical data

Type of the screw connection	1x M25
Locking type	Pin

Environmental and real-life conditions

Ambient conditions

Degree of protection	IP65
Ambient temperature (operation)	-40 °C ... 125 °C

HC-B 16-TFQ-N-O1STM25G - Housing

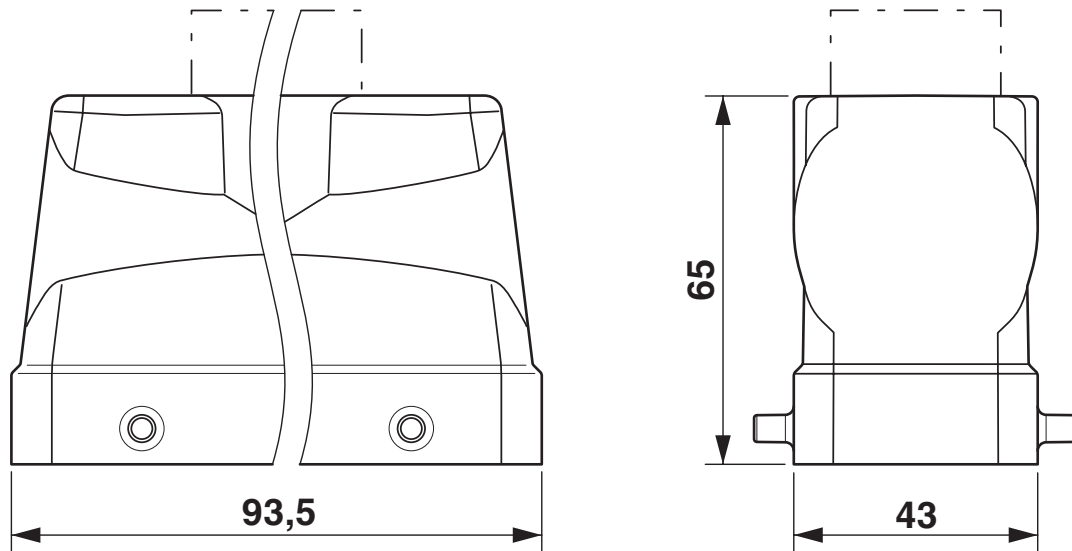


1460128

<https://www.phoenixcontact.com/us/products/1460128>

Drawings

Dimensional drawing



Dimensional drawing

HC-B 16-TFQ-N-O1STM25G - Housing



1460128

<https://www.phoenixcontact.com/us/products/1460128>

Classifications

ECLASS

ECLASS-11.0	27440202
ECLASS-13.0	27440202

UNSPSC

UNSPSC 21.0	31261501
-------------	----------

HC-B 16-TFQ-N-O1STM25G - Housing



1460128

<https://www.phoenixcontact.com/us/products/1460128>

Environmental product compliance

China RoHS

Environment friendly use period (EFUP)	EFUP-E
	No hazardous substances above the limits

EU REACH SVHC

REACH candidate substance (CAS No.)	No substance above 0.1 wt%
-------------------------------------	----------------------------

HC-B 16-TFQ-N-O1STM25G - Housing

1460128

<https://www.phoenixcontact.com/us/products/1460128>

Accessories

G-INS-M25-M68N-PNES-GY - Cable gland

1411126

<https://www.phoenixcontact.com/us/products/1411126>



Cable gland, material for screw connection: PA, application: Standard, external cable diameter 11 mm ... 17 mm, shielding: no, connecting thread: M25 x 1.5, color: silver-grey RAL 7001

G-INS-M25-M68N-PNES-BK - Cable gland

1411134

<https://www.phoenixcontact.com/us/products/1411134>



Cable gland, material for screw connection: PA, application: Standard, external cable diameter 11 mm ... 17 mm, shielding: no, connecting thread: M25 x 1.5, color: jet black RAL 9005

HC-B 16-TFQ-N-O1STM25G - Housing

1460128

<https://www.phoenixcontact.com/us/products/1460128>



G-INS-M25-M68N-NNES-S - Cable gland

1411165

<https://www.phoenixcontact.com/us/products/1411165>



Cable gland, material for screw connection: Brass, nickel-plated, application: Standard, external cable diameter 11 mm ... 17 mm, shielding: no, connecting thread: M25 x 1.5, color: silver, with O-ring

HC-M-KV-M25(14-21) - Cable gland

1646007

<https://www.phoenixcontact.com/us/products/1646007>



Metal screw connection up to 5 bar, thread length: 7 mm, cable diameter: 14 - 21 mm, WAF 34, screw connection: M25

HC-B 16-TFQ-N-O1STM25G - Housing

1460128

<https://www.phoenixcontact.com/us/products/1460128>



G-INSEC-M25-S68N-NCRS-S - Cable gland

1411190

<https://www.phoenixcontact.com/us/products/1411190>



Cable gland, material for screw connection: Brass, nickel-plated, application: EMC, external cable diameter 11 mm ... 16 mm, shielding: yes, connecting thread: M25 x 1.5, color: silver, with O-ring

G-INESR-M25-M68N-NEPDS-S - Cable gland

1415193

<https://www.phoenixcontact.com/us/products/1415193>



Cable gland, material for screw connection: Brass, nickel-plated, application: Standard, external cable diameter 9 mm ... 17 mm, shielding: no, connecting thread: M25 x 1.5, color: silver, with external strain relief, with O-ring

HC-B 16-TFQ-N-O1STM25G - Housing

1460128

<https://www.phoenixcontact.com/us/products/1460128>



HC-M-KV-T-M25 - Cable gland

1646191

<https://www.phoenixcontact.com/us/products/1646191>

Metal screw connection with cable bend protection and strain relief, thread length: 7 mm, cable sealing area: 10 - 19 mm, clamping area: 14 - 21 mm, SW 30, screw connection: M25



REDUC-M-KV-M25/M20 - Reducing adapter

1647624

<https://www.phoenixcontact.com/us/products/1647624>

Reducing adapter, connecting thread: M25 x 1.5, color: silver, with O-ring



HC-B 16-TFQ-N-O1STM25G - Housing



1460128

<https://www.phoenixcontact.com/us/products/1460128>

ENLAR-M-KV-M25/M32 - Extension adapter

1647679

<https://www.phoenixcontact.com/us/products/1647679>

Extension adapter, connecting thread: M25 x 1.5, color: silver, with O-ring



HC-M-BS-M25 - Screw plug

1645859

<https://www.phoenixcontact.com/us/products/1645859>

Screw plug, material for screw connection: Brass, nickel-plated, connecting thread: M25 x 1.5, color: silver



Phoenix Contact 2024 © - all rights reserved
<https://www.phoenixcontact.com>

Phoenix Contact USA
586 Fulling Mill Road
Middletown, PA 17057, United States
(+717) 944-1300
info@phoenixcon.com