

# HC-B 16-TFL-H-O1M25G - Housing

1460114

<https://www.phoenixcontact.com/gb/products/1460114>

Please be informed that the data shown in this PDF document is generated from our online catalog. Please find the complete data in the user documentation. Our general terms of use for downloads are valid.



HEAVYCON B16 sleeve housing, for single locking latch, height: 76 mm, with 1 x M25 gland, straight cable outlet

## Commercial data

|                                      |               |
|--------------------------------------|---------------|
| Item number                          | 1460114       |
| Packing unit                         | 10 pc         |
| Minimum order quantity               | 10 pc         |
| Sales key                            | BF7AAC        |
| Product key                          | BF7AAC        |
| GTIN                                 | 4046356793568 |
| Weight per piece (including packing) | 235.62 g      |
| Weight per piece (excluding packing) | 217.4 g       |
| Customs tariff number                | 85389099      |
| Country of origin                    | DE            |

# HC-B 16-TFL-H-O1M25G - Housing

1460114

<https://www.phoenixcontact.com/gb/products/1460114>

## Technical data

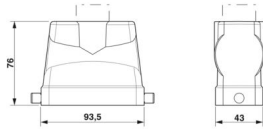
### Notes

|         |                                                               |
|---------|---------------------------------------------------------------|
| General | For contact inserts HC-B16, BB32, BBB40, D40, DD72, HS6, M, K |
|---------|---------------------------------------------------------------|

### Product properties

|                              |                            |
|------------------------------|----------------------------|
| Product type                 | Housing with locking latch |
| Housing type                 | Sleeve housing             |
| Type                         | B16                        |
| No. of cable outlets         | 1                          |
| Type of the screw connection | 1x M25                     |
| Cable outlet                 | straight                   |
| Pg screw connection          | none                       |

### Dimensions

|                     |                                                                                      |
|---------------------|--------------------------------------------------------------------------------------|
| Dimensional drawing |  |
| Width               | 43 mm                                                                                |
| Height              | 76 mm                                                                                |
| Length              | 94 mm                                                                                |

### Material specifications

|                          |                     |
|--------------------------|---------------------|
| Housing material         | die-cast aluminum   |
| Housing surface material | Powder-coated, gray |

### Mechanical properties

#### Mechanical data

|                              |        |
|------------------------------|--------|
| Type of the screw connection | 1x M25 |
|------------------------------|--------|

### Mounting

|               |                                     |
|---------------|-------------------------------------|
| Assembly note | For half and full screw connections |
|---------------|-------------------------------------|

### Environmental and real-life conditions

#### Ambient conditions

|                                 |                   |
|---------------------------------|-------------------|
| Degree of protection            | IP65              |
| Ambient temperature (operation) | -40 °C ... 125 °C |

# HC-B 16-TFL-H-O1M25G - Housing

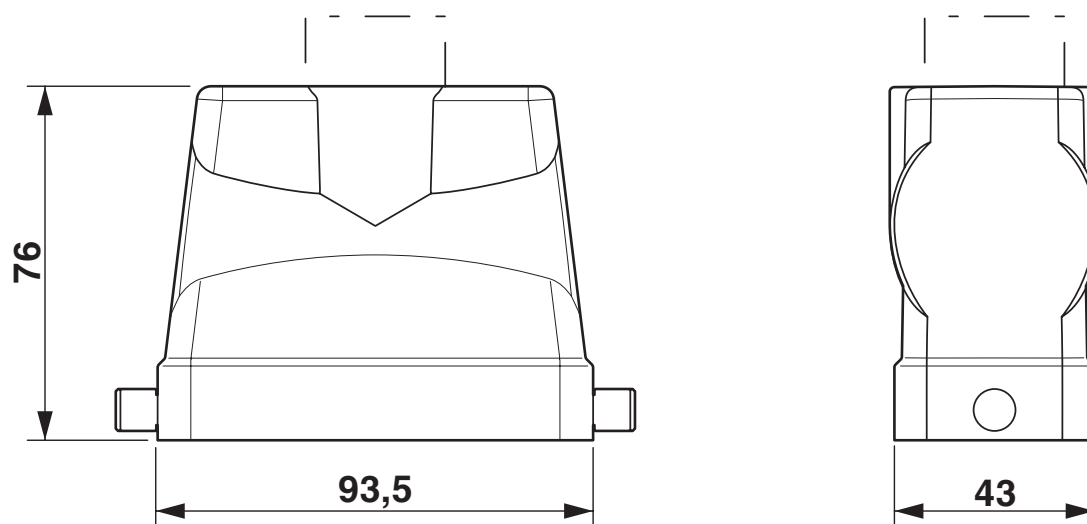
1460114

<https://www.phoenixcontact.com/gb/products/1460114>



## Drawings

Dimensional drawing



Dimensional drawing

# HC-B 16-TFL-H-O1M25G - Housing



1460114

<https://www.phoenixcontact.com/gb/products/1460114>

## Classifications

### ECLASS

|             |          |
|-------------|----------|
| ECLASS-11.0 | 27440202 |
| ECLASS-13.0 | 27440202 |

### UNSPSC

|             |          |
|-------------|----------|
| UNSPSC 21.0 | 31261501 |
|-------------|----------|

# HC-B 16-TFL-H-O1M25G - Housing



1460114

<https://www.phoenixcontact.com/gb/products/1460114>

## Environmental product compliance

### China RoHS

|                                        |                                          |
|----------------------------------------|------------------------------------------|
| Environment friendly use period (EFUP) | EFUP-E                                   |
|                                        | No hazardous substances above the limits |

### EU REACH SVHC

|                                     |                            |
|-------------------------------------|----------------------------|
| REACH candidate substance (CAS No.) | No substance above 0.1 wt% |
|-------------------------------------|----------------------------|

# HC-B 16-TFL-H-O1M25G - Housing

1460114

<https://www.phoenixcontact.com/gb/products/1460114>

## Accessories

### G-INS-M25-M68N-PNES-GY - Cable gland

1411126

<https://www.phoenixcontact.com/gb/products/1411126>



Cable gland, material for screw connection: PA, application: Standard, external cable diameter 11 mm ... 17 mm, shielding: no, connecting thread: M25 x 1.5, color: silver-grey RAL 7001

---

### G-INS-M25-M68N-PNES-BK - Cable gland

1411134

<https://www.phoenixcontact.com/gb/products/1411134>



Cable gland, material for screw connection: PA, application: Standard, external cable diameter 11 mm ... 17 mm, shielding: no, connecting thread: M25 x 1.5, color: jet black RAL 9005

# HC-B 16-TFL-H-O1M25G - Housing

1460114

<https://www.phoenixcontact.com/gb/products/1460114>



## G-INS-M25-M68N-NNES-S - Cable gland

1411165

<https://www.phoenixcontact.com/gb/products/1411165>



Cable gland, material for screw connection: Brass, nickel-plated, application: Standard, external cable diameter 11 mm ... 17 mm, shielding: no, connecting thread: M25 x 1.5, color: silver, with O-ring

---

## HC-M-KV-M25(14-21) - Cable gland

1646007

<https://www.phoenixcontact.com/gb/products/1646007>



Metal screw connection up to 5 bar, thread length: 7 mm, cable diameter: 14 - 21 mm, WAF 34, screw connection: M25

# HC-B 16-TFL-H-O1M25G - Housing

1460114

<https://www.phoenixcontact.com/gb/products/1460114>

## G-INSEC-M25-S68N-NCRS-S - Cable gland

1411190

<https://www.phoenixcontact.com/gb/products/1411190>



Cable gland, material for screw connection: Brass, nickel-plated, application: EMC, external cable diameter 11 mm ... 16 mm, shielding: yes, connecting thread: M25 x 1.5, color: silver, with O-ring

---

## G-INESR-M25-M68N-NEPDS-S - Cable gland

1415193

<https://www.phoenixcontact.com/gb/products/1415193>



Cable gland, material for screw connection: Brass, nickel-plated, application: Standard, external cable diameter 9 mm ... 17 mm, shielding: no, connecting thread: M25 x 1.5, color: silver, with external strain relief, with O-ring



# HC-B 16-TFL-H-O1M25G - Housing

1460114

<https://www.phoenixcontact.com/gb/products/1460114>

## HC-M-KV-T-M25 - Cable gland

1646191

<https://www.phoenixcontact.com/gb/products/1646191>

Metal screw connection with cable bend protection and strain relief, thread length: 7 mm, cable sealing area: 10 - 19 mm, clamping area: 14 - 21 mm, SW 30, screw connection: M25



---

## REDUC-M-KV-M25/M20 - Reducing adapter

1647624

<https://www.phoenixcontact.com/gb/products/1647624>

Reducing adapter, connecting thread: M25 x 1.5, color: silver, with O-ring



# HC-B 16-TFL-H-O1M25G - Housing



1460114

<https://www.phoenixcontact.com/gb/products/1460114>

## ENLAR-M-KV-M25/M32 - Extension adapter

1647679

<https://www.phoenixcontact.com/gb/products/1647679>

Extension adapter, connecting thread: M25 x 1.5, color: silver, with O-ring



---

## HC-M-BS-M25 - Screw plug

1645859

<https://www.phoenixcontact.com/gb/products/1645859>

Screw plug, material for screw connection: Brass, nickel-plated, connecting thread: M25 x 1.5, color: silver



---

Phoenix Contact 2024 © - all rights reserved  
<https://www.phoenixcontact.com>

PHOENIX CONTACT Ltd  
Halesfield 13, Telford  
Shropshire, TF7 4PG  
01952 681700  
[info@phoenixcontact.co.uk](mailto:info@phoenixcontact.co.uk)