

SAC-5P-M12MR/ 1,5-802 - Sensor/actuator cable



1457322

<https://www.phoenixcontact.com/us/products/1457322>

Please be informed that the data shown in this PDF document is generated from our online catalog. Please find the complete data in the user documentation. Our general terms of use for downloads are valid.



Sensor/actuator cable, 5-position, PUR halogen-free, resistant to welding sparks, highly flexible, gray RAL 7001, Plug angled M12, coding: A, on free cable end, cable length: 1.5 m, for robots and drag chains

Your advantages

- Easy and safe: 100 % electrically tested plug-in components
- Reliable solution for the body shop as cable is resistant to welding sparks

Commercial data

Item number	1457322
Packing unit	1 pc
Minimum order quantity	1 pc
Sales key	BF03
Product key	BF1CDA
Catalog page	Page 203 (C-2-2019)
GTIN	4046356593687
Weight per piece (including packing)	63.6 g
Weight per piece (excluding packing)	63.6 g
Customs tariff number	85444290
Country of origin	PL

1457322

<https://www.phoenixcontact.com/us/products/1457322>

Technical data

Product properties

Product type	Sensor/actuator cable
Application	Robots and drag chains
Number of positions	5
No. of cable outlets	1
Shielded	no
Coding	A

Data management status

Article revision	05
------------------	----

Insulation characteristics

Overvoltage category	II
Degree of pollution	3

Material specifications

Flammability rating according to UL 94	HB
Material of grip body	TPU, hardly inflammable, self-extinguishing
Contact material	CuSn
Contact surface material	Ni/Au
Contact carrier material	TPU GF
Material for screw connection	Zinc die-cast, nickel-plated

Electrical properties

Insulation resistance	$\geq 100 \text{ M}\Omega$
Nominal voltage U_N	48 V AC
	60 V DC
Nominal current I_N	4 A

Mechanical properties

Mechanical data

Insertion/withdrawal cycles	≥ 100
-----------------------------	------------

Signaling

Status display	no
Status display present	No

Connection data

Conductor connection

Tightening torque	0.4 Nm (M12 connector)
-------------------	------------------------

Connector

SAC-5P-M12MR/ 1,5-802 - Sensor/actuator cable



1457322

<https://www.phoenixcontact.com/us/products/1457322>

Connection 1

Type	Plug angled M12
Number of positions	5
Coding type	A

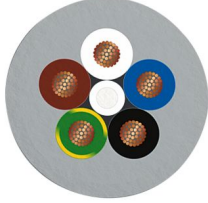
Connection 2

Type	free cable end
------	----------------

Cable/line

Cable length	1.5 m
--------------	-------

PUR halogen-free highly flexible resistant to welding sparks gray 5th conductor green/yellow [802]

Dimensional drawing	
Note	Due to the extremely robust outer sheath, this cable should only be stripped in 5 cm increments.
Cable weight	38 kg/km
UL AWM Style	20549
Number of positions	5
Shielded	no
Cable type	PUR halogen-free highly flexible resistant to welding sparks gray 5th conductor green/yellow [802]
Conductor structure signal line	42x 0.10 mm
AWG signal line	22
Conductor cross section	5x 0.34 mm ² (Signal line)
Wire diameter incl. insulation	1.3 mm ±0.05 mm (Signal line)
External cable diameter	5.10 mm ±0.2 mm
Outer sheath, material	PUR
External sheath, color	gray RAL 7001
Conductor material	Bare Cu litz wires
Material wire insulation	PP
Single wire, color	brown, white, blue, black, green-yellow
Overall twist	5 wires around filler to the core
Max. conductor resistance	approx. 53 Ω/km
Insulation resistance	≥ 20 MΩ*km
Nominal voltage, cable	300 V
Test voltage	1200 V
Minimum bending radius, fixed installation	5 x D
Minimum bending radius, flexible installation	5 x D

SAC-5P-M12MR/ 1,5-802 - Sensor/actuator cable



1457322

<https://www.phoenixcontact.com/us/products/1457322>

Smallest bending radius, fixed installation	26 mm
Smallest bending radius, movable installation	26 mm
Max. bending cycles	10000000
Minimum bending radius, drag chain applications	7,5 x D
Traversing path	5 m
Traversing rate	3.3 m/s
Acceleration	5 m/s ²
Max. bending cycles	15000000
Bending radius	50 mm
Traversing path	0.9 m
Traversing rate	5 m/s
Acceleration	30 m/s ²
Torsion force	± 360 °/m
Torsion cycles	1000000
Halogen-free	The cable is halogen-free
Flame resistance	in accordance with UL 758/1581 FT2
Resistance to oil	in accordance with DIN EN 60811-2-1
Other resistance	Highly resistant to acids, alkaline solutions and solvents Silicone-free
Special properties	Cable jacket is welding spark-resistant, recyclable, matt, low-adhesion, abrasion-resistant, flame-retardant, and self-extinguishing Free from silicone and cadmium Free of substances which would hinder coating with paint or varnish
Ambient temperature (operation)	-40 °C ... 80 °C (cable, fixed installation) -25 °C ... 80 °C (Cable, flexible installation)

Environmental and real-life conditions

Ambient conditions

Degree of protection	IP65 IP67 IP68
Ambient temperature (operation)	-25 °C ... 90 °C (Plug / socket) -40 °C ... 90 °C (cable, fixed installation) -30 °C ... 90 °C (Cable, flexible installation) to 120 °C (for 3000 h) to 80 °C (in acc. with UL)

Standards and regulations

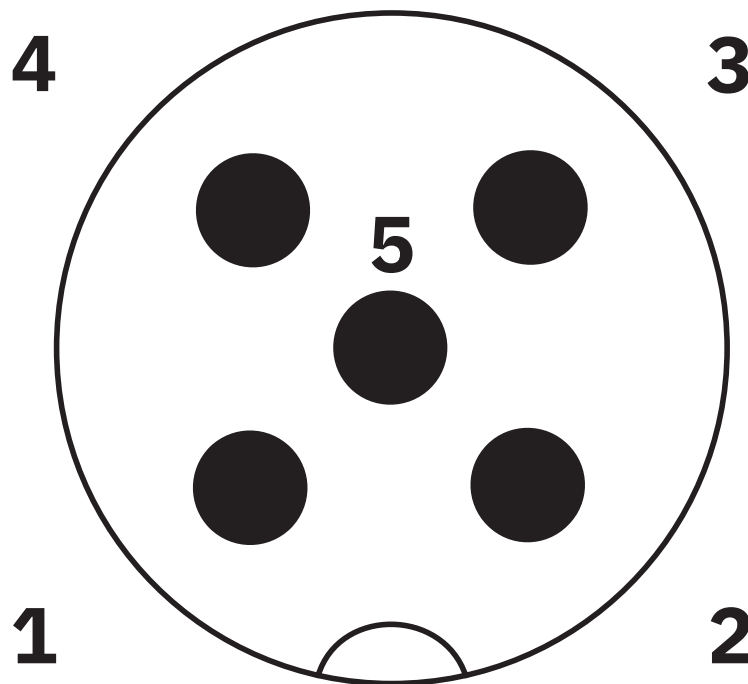
Standard designation	M12 connector
Standards/specifications	IEC 61076-2-101

1457322

<https://www.phoenixcontact.com/us/products/1457322>

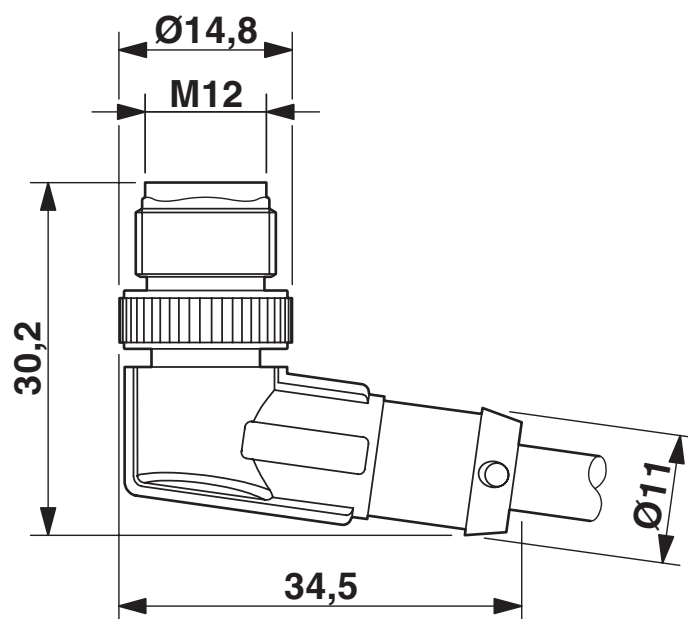
Drawings

Schematic diagram



Pin assignment M12 male connector, 5-pos., A-coded, male side

Dimensional drawing



M12 x 1 male plug, angled

SAC-5P-M12MR/ 1,5-802 - Sensor/actuator cable



1457322

<https://www.phoenixcontact.com/us/products/1457322>

Circuit diagram



SAC-5P-M12MR/ 1,5-802 - Sensor/actuator cable





1457322


<https://www.phoenixcontact.com/us/products/1457322>

Approvals

To download certificates, visit the product detail page: <https://www.phoenixcontact.com/us/products/1457322>

 UL Listed Approval ID: FILE E 221474				
	Nominal voltage U_N	Nominal current I_N	Cross section AWG	Cross section mm^2
Use group keine				
	125 V	4 A	-	-

 cUL Listed Approval ID: FILE E 221474				
	Nominal voltage U_N	Nominal current I_N	Cross section AWG	Cross section mm^2
Use group keine				
	125 V	4 A	-	-

 EAC-RoHS Approval ID: RU D-DE.HB35.B.00387				
--	--	--	--	--

cULus Listed				
---------------------	--	--	--	--

SAC-5P-M12MR/ 1,5-802 - Sensor/actuator cable



1457322

<https://www.phoenixcontact.com/us/products/1457322>

Classifications

ECLASS

ECLASS-11.0	27060311
ECLASS-12.0	27060311
ECLASS-13.0	27060311

ETIM

ETIM 9.0	EC001855
----------	----------

UNSPSC

UNSPSC 21.0	26121600
-------------	----------

SAC-5P-M12MR/ 1,5-802 - Sensor/actuator cable



1457322

<https://www.phoenixcontact.com/us/products/1457322>

Environmental product compliance

EU RoHS

Fulfills EU RoHS substance requirements	Yes, No exemptions
---	--------------------

China RoHS

Environment friendly use period (EFUP)	EFUP-E
	No hazardous substances above the limits

EU REACH SVHC

REACH candidate substance (CAS No.)	No substance above 0.1 wt%
-------------------------------------	----------------------------

Phoenix Contact 2024 © - all rights reserved
<https://www.phoenixcontact.com>

Phoenix Contact USA
586 Fulling Mill Road
Middletown, PA 17057, United States
(+717) 944-1300
info@phoenixcon.com