

SACC-DSIV-FS-8CON-L180-10G SCO - Device connector rear mounting



1440669

<https://www.phoenixcontact.com/it/products/1440669>

Please be informed that the data shown in this PDF document is generated from our online catalog. Please find the complete data in the user documentation. Our general terms of use for downloads are valid.



Device connector rear mounting, 8-position, Socket, straight, M12-SPEEDCON, coding: X, Rear mounting, THR solder connection, Alternative product in accordance with RoHS II without Exemption 6c (Pb < 0.1 %) item no.: 1237426

Commercial data

Item number	1440669
Packing unit	20 pc
Minimum order quantity	20 pc
Sales key	ABQ
Product key	ABQAIA
Catalog page	Page 90 (C-2-2013)
GTIN	4046356504591
Weight per piece (including packing)	11.225 g
Weight per piece (excluding packing)	10.53 g
Customs tariff number	85366990
Country of origin	DE

SACC-DSIV-FS-8CON-L180-10G SCO - Device connector rear mounting



1440669

<https://www.phoenixcontact.com/it/products/1440669>

Technical data

Notes

General	Lock nut is included in the scope of delivery
---------	---

Mounting

Mounting type	Rear mounting
---------------	---------------

Product properties

Product type	Circular connectors (device side)
Number of positions	8
Shielded	no
Coding	X
Thread type	M12

Insulation characteristics

Overvoltage category	II
Degree of pollution	3

Material specifications

Material	Zinc die-cast (nickel-plated)
Flammability rating according to UL 94	HB
Seal material	NBR
Contact material	Cu alloy
Contact surface material	Au
Contact carrier material	PA 6.6
Material for screw connection	Zinc die-cast, nickel-plated

Electrical properties

Contact resistance	< 5 mΩ
Insulation resistance	> 100 MΩ
Nominal voltage U_N	60 V
Nominal current I_N	4 A

Connection data

Conductor connection

Connection method	THR solder connection
Contact connection type	Socket

Connector

Connection 1

Head design	Socket
-------------	--------

SACC-DSIV-FS-8CON-L180-10G SCO - Device connector rear mounting



1440669

<https://www.phoenixcontact.com/it/products/1440669>

Head cable outlet	straight
Head thread type	M12
Head locking type	SPEEDCON
Coding	X

Environmental and real-life conditions

Ambient conditions

Degree of protection	IP67
	IP67
Ambient temperature (operation)	-25 °C ... 85 °C (Plug / socket)

Standards and regulations

M12

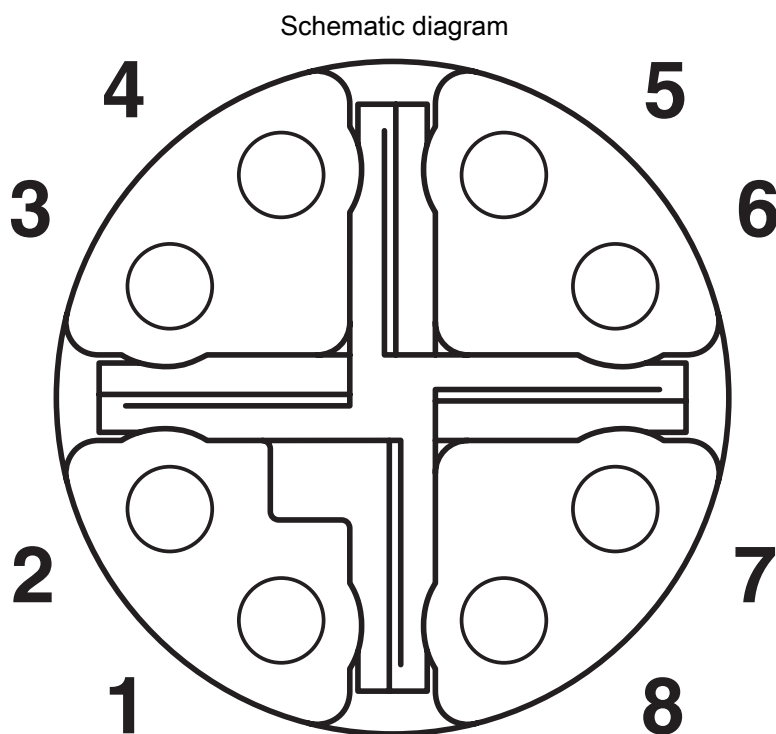
Standard designation	M12 connector
Standards/specifications	IEC 61076-2-101

SACC-DSIV-FS-8CON-L180-10G SCO - Device connector rear mounting

1440669

<https://www.phoenixcontact.com/it/products/1440669>

Drawings



M12 socket pin assignment, 8-pos, view of socket side

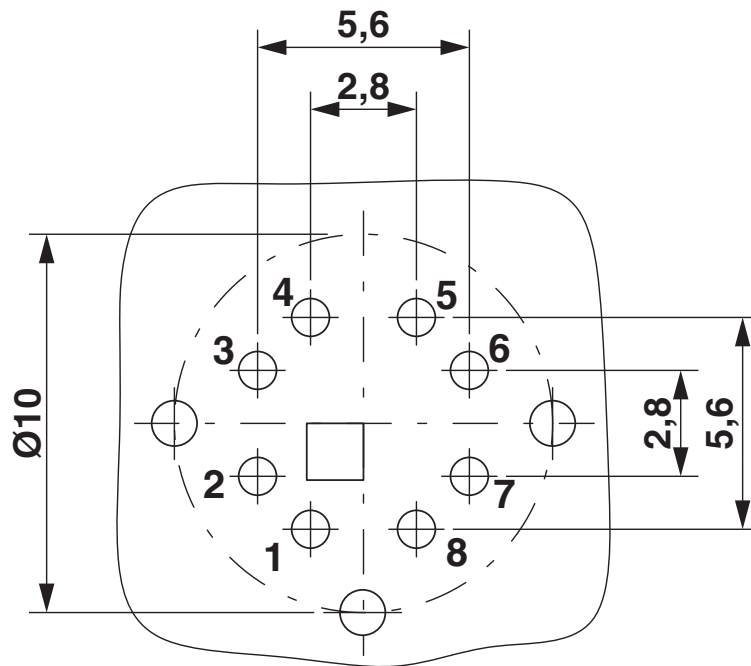
SACC-DSIV-FS-8CON-L180-10G SCO - Device connector rear mounting



1440669

<https://www.phoenixcontact.com/it/products/1440669>

Drilling plan/solder pad geometry



Soldering pad geometry

SACC-DSIV-FS-8CON-L180-10G SCO - Device connector rear mounting





1440669

<https://www.phoenixcontact.com/it/products/1440669>

Approvals

To download certificates, visit the product detail page: <https://www.phoenixcontact.com/it/products/1440669>

 cUL Recognized Approval ID: E335024-20120308				
	Nominal voltage U_N	Nominal current I_N	Cross section AWG	Cross section mm^2
	60 V	0.5 A	-	-

 UL Recognized Approval ID: E335024-20120308				
	Nominal voltage U_N	Nominal current I_N	Cross section AWG	Cross section mm^2
	60 V	0.5 A	-	-

cULus Recognized

SACC-DSIV-FS-8CON-L180-10G SCO - Device connector rear mounting



1440669

<https://www.phoenixcontact.com/it/products/1440669>

Classifications

ECLASS

ECLASS-11.0	27440102
ECLASS-12.0	27440116
ECLASS-13.0	27440116

ETIM

ETIM 9.0	EC002635
----------	----------

UNSPSC

UNSPSC 21.0	39121400
-------------	----------

SACC-DSIV-FS-8CON-L180-10G SCO - Device connector rear mounting



1440669

<https://www.phoenixcontact.com/lt/products/1440669>

Environmental product compliance

REACH SVHC	Lead 7439-92-1
China RoHS	Environmentally Friendly Use Period = 50 years
	For information on hazardous substances, refer to the manufacturer's declaration available under "Downloads"

Phoenix Contact 2024 © - all rights reserved
<https://www.phoenixcontact.com>

Phoenix Contact UAB
Svitrigailos str. 11B
03228 Vilnius
+370 5 2106321
balticinfo@phoenixcontact.com