

SACC-M12FS-4CON-PG7-M SKIN - Connector



1430381

<https://www.phoenixcontact.com/nz/products/1430381>

Please be informed that the data shown in this PDF document is generated from our online catalog. Please find the complete data in the user documentation. Our general terms of use for downloads are valid.



Sensor/actuator socket, straight, 4-pos., M12, A-coded, screw connection, metal knurl, cable gland Pg7 SKINTOP®

Your advantages

- Safe use in the field, thanks to a high degree of protection
- Screw connection: proven connection technology for a large selection of different conductors

Commercial data

Item number	1430381
Packing unit	1 pc
Minimum order quantity	1 pc
Sales key	BF2CAA
Product key	BF2CAA
Catalog page	Page 23 (C-2-2019)
GTIN	4046356315340
Weight per piece (including packing)	26.44 g
Weight per piece (excluding packing)	26.44 g
Country of origin	DE

SACC-M12FS-4CON-PG7-M SKIN - Connector



1430381

<https://www.phoenixcontact.com/nz/products/1430381>

Technical data

Notes

General	NOTE: Observe the permissible bending radii when laying conductors, since the degree of protection may be put in jeopardy if the bending forces are too high. Alleviate mechanical loads upstream of the connector, e.g. by using cable ties.
---------	--

Mounting

Connection method	Screw connection
-------------------	------------------

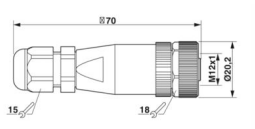
Product properties

Product type	Circular connector (cable-side)
Sensor type	Universal
Number of positions	4
No. of cable outlets	1
Shielded	no
Coding	A
Cable outlet	straight
Pg screw connection	Pg7

Insulation characteristics

Overvoltage category	II
Degree of pollution	3

Dimensions

Dimensional drawing	
Width	20.2 mm
Height	20.2 mm
Length	70 mm

External dimensions

Outside diameter	4 mm ... 6 mm
------------------	---------------

Housing

Diameter housing	20.2 mm
------------------	---------

Material specifications

Flammability rating according to UL 94	HB
Seal material	NBR
Material of grip body	PBT
Contact material	CuZn

SACC-M12FS-4CON-PG7-M SKIN - Connector



1430381

<https://www.phoenixcontact.com/nz/products/1430381>

Contact surface material	CuSnZn
Contact carrier material	PA
Material for screw connection	Zinc die-cast, nickel-plated

Connection data

Conductor connection

Connection method	Screw connection
Connection cross section	0.25 mm ² ... 0.75 mm ² (without ferrule)
	0.14 mm ² ... 0.75 mm ² (with ferrule)
	0.25 mm ² ... 0.75 mm ² (solid)
Connection cross section AWG	24 ... 18 (without ferrule)
	26 ... 20 (with ferrule)
Stripping length of the individual wire	5 mm
Tightening torque	0.4 Nm (M12 knurl)
	0.2 Nm (Screw terminal blocks)
	0.8 Nm ... 1 Nm (Pressure screw)

Electrical properties

Rated surge voltage	2.5 kV
Contact resistance	≤ 8 mΩ
Insulation resistance	≥ 100 MΩ
Nominal voltage U _N	250 V AC
	250 V DC
Nominal current I _N	4 A

Mechanical properties

Mechanical data

Insertion/withdrawal cycles	≥ 100
-----------------------------	-------

Connector

Connection 1

Head design	Socket
Head cable outlet	straight
Head thread type	M12
Coding	A

Cable/line

Signal type/category	Universal
Stripping length of the individual wire	5 mm

Environmental and real-life conditions

Ambient conditions

Degree of protection	IP67
----------------------	------

SACC-M12FS-4CON-PG7-M SKIN - Connector



1430381

<https://www.phoenixcontact.com/nz/products/1430381>

Ambient temperature (operation)	-20 °C ... 80 °C (Plug / socket)
---------------------------------	----------------------------------

Standards and regulations

M12

Standard designation	M12 connector
Standards/specifications	IEC 61076-2-101

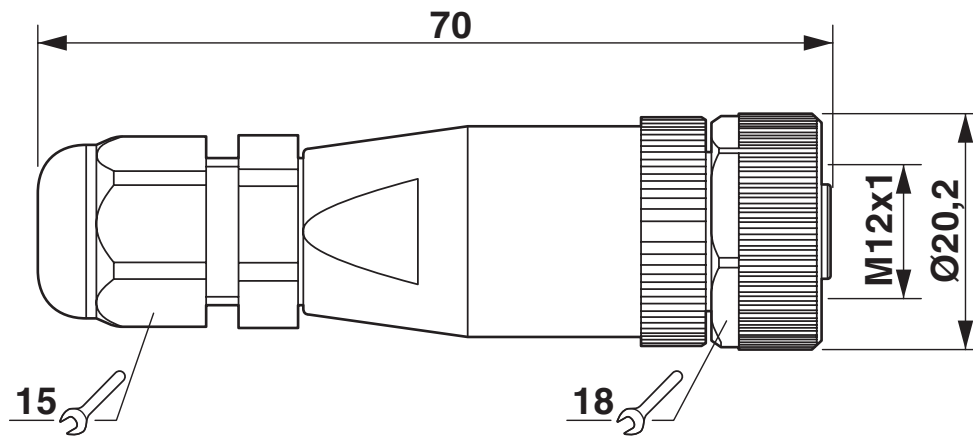
SACC-M12FS-4CON-PG7-M SKIN - Connector

1430381

<https://www.phoenixcontact.com/nz/products/1430381>

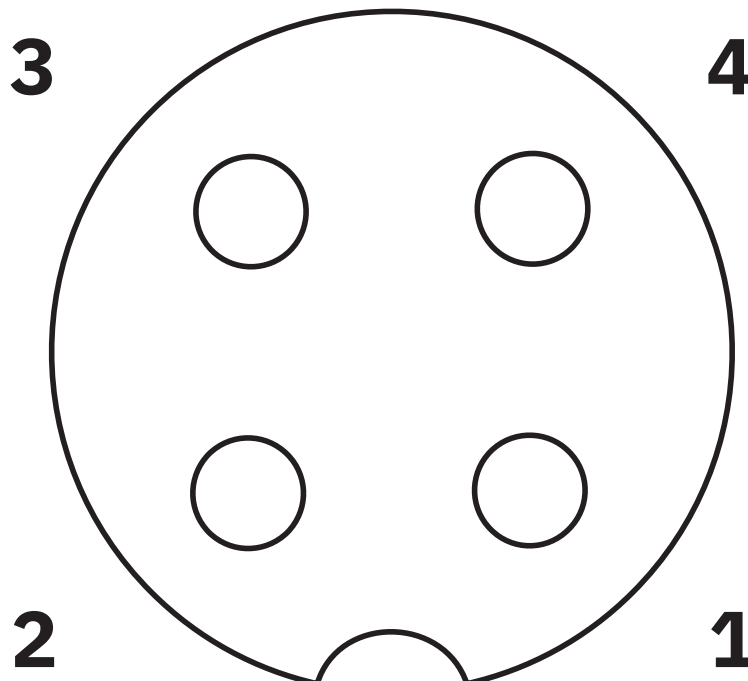
Drawings

Dimensional drawing



M12 x 1 socket, straight

Schematic diagram



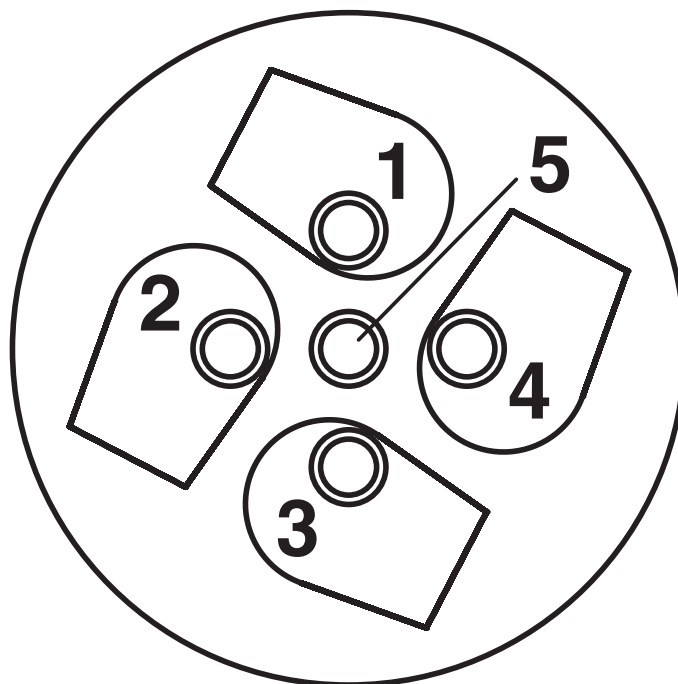
Pin assignment M12 socket, 4-pos., A-coded, view female side

SACC-M12FS-4CON-PG7-M SKIN - Connector

1430381

<https://www.phoenixcontact.com/nz/products/1430381>

Schematic diagram



Cable connection side M12 (screw connection)

SACC-M12FS-4CON-PG7-M SKIN - Connector



1430381

<https://www.phoenixcontact.com/nz/products/1430381>

Approvals

To download certificates, visit the product detail page: <https://www.phoenixcontact.com/nz/products/1430381>



EAC

Approval ID: RU C-DE.BL08.B.00511

SACC-M12FS-4CON-PG7-M SKIN - Connector



1430381

<https://www.phoenixcontact.com/nz/products/1430381>

Classifications

ECLASS

ECLASS-11.0	27440102
ECLASS-12.0	27440116
ECLASS-13.0	27440116

ETIM

ETIM 9.0	EC002635
----------	----------

UNSPSC

UNSPSC 21.0	39121400
-------------	----------

SACC-M12FS-4CON-PG7-M SKIN - Connector



1430381

<https://www.phoenixcontact.com/nz/products/1430381>

Environmental product compliance

REACH SVHC	Lead 7439-92-1
China RoHS	Environmentally Friendly Use Period = 50 years
	For information on hazardous substances, refer to the manufacturer's declaration available under "Downloads"

Phoenix Contact 2024 © - all rights reserved
<https://www.phoenixcontact.com>

PHOENIX CONTACT Ltd
Unit 15C, 906-930 Great South Road, Penrose
Auckland 1061
0508 474 636
sales@phoenixcontact.co.nz