

SAC-12P-MR/ 3,0-35T SH SCO - Sensor/actuator cable



1430093

<https://www.phoenixcontact.com/pc/products/1430093>

Please be informed that the data shown in this PDF document is generated from our online catalog. Please find the complete data in the user documentation. Our general terms of use for downloads are valid.



Sensor/actuator cable, 12-position, PUR/PVC, black RAL 9005, shielded, Plug angled M12 SPEEDCON, coding: A, on free cable end, cable length: 3 m

Your advantages

- Easy and safe: 100 % electrically tested plug-in components
- Save time, thanks to installation with SPEEDCON fast locking system
- Save space – with high-pos. connectors
- Reliable signal transmission – 360° shielding in environments with electromagnetic interference

Commercial data

Item number	1430093
Packing unit	1 pc
Minimum order quantity	1 pc
Product key	BF1CNA
Catalog page	Page 214 (C-2-2019)
GTIN	4046356322362
Weight per piece (including packing)	296.4 g
Weight per piece (excluding packing)	299.6 g
Customs tariff number	85444290
Country of origin	DE

SAC-12P-MR/ 3,0-35T SH SCO - Sensor/actuator cable



1430093

<https://www.phoenixcontact.com/pc/products/1430093>

Technical data

Product properties

Product type	Sensor/actuator cable
Application	Standard
Number of positions	12
No. of cable outlets	1
Shielded	yes
Coding	A

Data management status

Article revision	06
------------------	----

Insulation characteristics

Overvoltage category	II
Degree of pollution	3

Material specifications

Flammability rating according to UL 94	V0
Material of grip body	TPU, hardly inflammable, self-extinguishing
Contact material	CuZn
Contact surface material	Ni/Au
Contact carrier material	PA 6.6
Material for screw connection	Zinc die-cast, nickel-plated

Electrical properties

Insulation resistance	$\geq 10 \text{ M}\Omega$
Nominal voltage U_N	30 V AC
	30 V DC
Nominal current I_N	1.5 A

Signaling

Status display	no
Status display present	No

Connection data

Conductor connection

Tightening torque	0.4 Nm (M12 connector)
-------------------	------------------------

Connector

Connection 1

Type	Plug angled M12 SPEEDCON
Number of positions	12
Locking type	SPEEDCON

SAC-12P-MR/ 3,0-35T SH SCO - Sensor/actuator cable

1430093

<https://www.phoenixcontact.com/pc/products/1430093>

Coding type	A
-------------	---


Connection 2

Type	free cable end
------	----------------

Cable/line

Cable length	3 m
--------------	-----

Black PUR/PVC twisted pair [35T]

Dimensional drawing	
Cable weight	87 kg/km
UL AWM Style	20233 / 1061 (80°C/300 V)
Number of positions	12
Shielded	yes
Cable type	Black PUR/PVC twisted pair [35T]
Conductor structure signal line	18x 0.10 mm
AWG signal line	26
Conductor cross section	12x 0.14 mm ² (Signal line)
Wire diameter incl. insulation	1 mm ±0.05 mm (Signal line)
External cable diameter	8.50 mm ±0.2 mm
Outer sheath, material	PUR
External sheath, color	black RAL 9005
Conductor material	Tin-plated Cu litz wires
Material wire insulation	PVC
Single wire, color	white-brown, green-yellow, gray-pink, blue-red, black-violet, gray/pink-red/blue
Twisted pairs	2 cores to the pair
Overall twist	Six pairs around the filler to the core
Optical shield covering	85 %
Max. conductor resistance	≤ 142 Ω/km (at 20 °C)
Insulation resistance	≥ 10 MΩ*km (at 20 °C)
Nominal voltage, cable	42 V AC
Test voltage	1500 V AC
Minimum bending radius, fixed installation	5 x D
Minimum bending radius, flexible installation	10 x D
Smallest bending radius, fixed installation	43 mm
Smallest bending radius, movable installation	85 mm
Dynamic load capacity (bending)	Max. bending cycles: 2000000, Bending radius: 85 mm,

SAC-12P-MR/ 3,0-35T SH SCO - Sensor/actuator cable



1430093

<https://www.phoenixcontact.com/pc/products/1430093>

	Traversing path: 10 m, Traversing rate: 3 m/s, Acceleration: 10 m/s ²
Flame resistance	According to DIN EN 60332-1-2 According to VW-1
Resistance to oil	in accordance with DIN EN 60811-2-1
Other resistance	hydrolysis and microbe resistant (in accordance with EN 50396)
Special properties	Flexible cable conduit capable
Ambient temperature (operation)	-40 °C ... 80 °C (cable, fixed installation) -5 °C ... 80 °C (Cable, flexible installation)

Environmental and real-life conditions

Ambient conditions

Degree of protection	IP65 IP67
Ambient temperature (operation)	-25 °C ... 85 °C (Plug / socket) -40 °C ... 80 °C (cable, fixed installation) -5 °C ... 80 °C (Cable, flexible installation)

Standards and regulations

Standard designation	M12 connector
Standards/specifications	IEC 61076-2-101

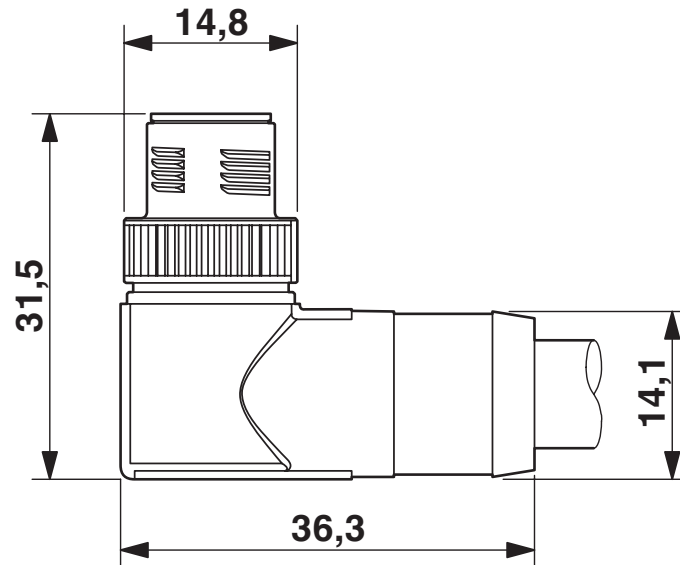
SAC-12P-MR/ 3,0-35T SH SCO - Sensor/actuator cable

1430093

<https://www.phoenixcontact.com/pc/products/1430093>

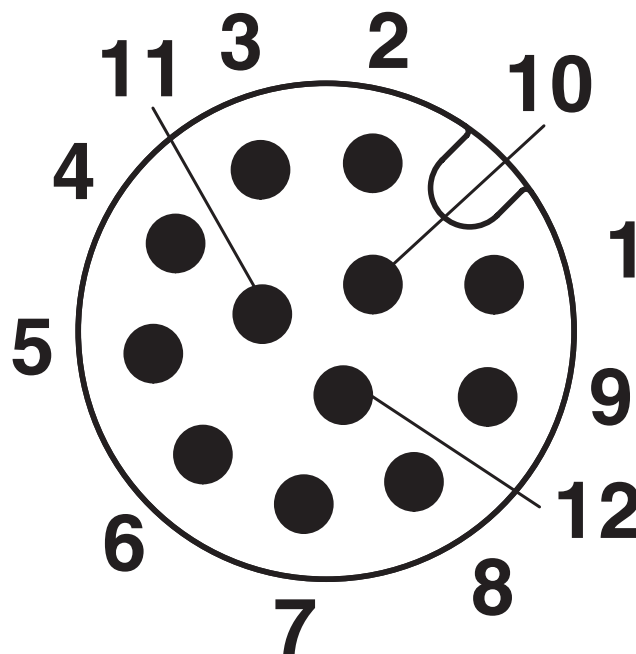
Drawings

Dimensional drawing



Plug M12 SPEEDCON, angled, shielded

Schematic diagram



Pin assignment M12 male connector, 12-pos., male side view

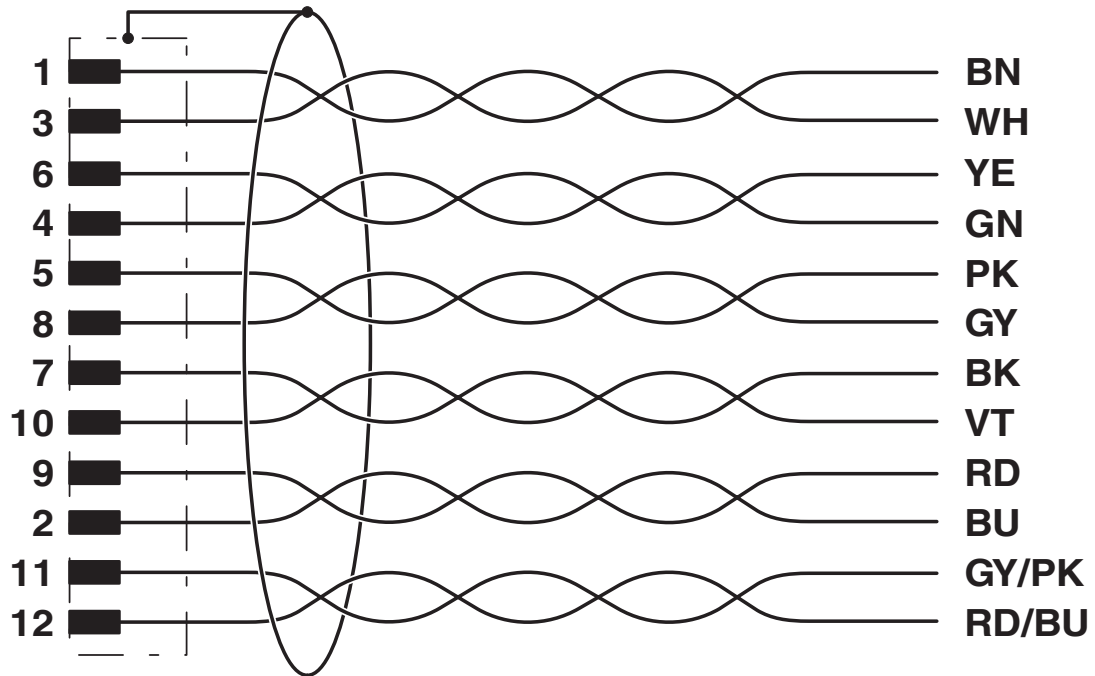
SAC-12P-MR/ 3,0-35T SH SCO - Sensor/actuator cable



1430093

<https://www.phoenixcontact.com/pc/products/1430093>

Circuit diagram



SAC-12P-MR/ 3,0-35T SH SCO - Sensor/actuator cable



1430093

<https://www.phoenixcontact.com/pc/products/1430093>

Approvals

To download certificates, visit the product detail page: <https://www.phoenixcontact.com/pc/products/1430093>



UL Listed

Approval ID: FILE E 221474

	Nominal voltage U_N	Nominal current I_N	Cross section AWG	Cross section mm^2
	30 V	1 A	-	-



EAC-RoHS

Approval ID: RU D-DE.HB35.B.00387

SAC-12P-MR/ 3,0-35T SH SCO - Sensor/actuator cable



1430093

<https://www.phoenixcontact.com/pc/products/1430093>

Classifications

ECLASS

ECLASS-11.0	27060311
ECLASS-12.0	27060311
ECLASS-13.0	27060311

ETIM

ETIM 9.0	EC001855
----------	----------

UNSPSC

UNSPSC 21.0	26121600
-------------	----------

SAC-12P-MR/ 3,0-35T SH SCO - Sensor/actuator cable



1430093

<https://www.phoenixcontact.com/pc/products/1430093>

Environmental product compliance

EU RoHS

Fulfills EU RoHS substance requirements	Yes, No exemptions
-----------------------------------------	--------------------

China RoHS

Environment friendly use period (EFUP)	EFUP-E
	No hazardous substances above the limits

EU REACH SVHC

REACH candidate substance (CAS No.)	No substance above 0.1 wt%
-------------------------------------	----------------------------

Phoenix Contact 2024 © - all rights reserved
<https://www.phoenixcontact.com>

PHOENIX CONTACT GmbH & Co. KG
Flachmarktstraße 8
D-32825 Blomberg
+49 (0) 5235-3 00
info@phoenixcontact.com