

# HC-ADV-B06-HHWH-1STM25-MF-BK - Housing



1420898

<https://www.phoenixcontact.com/gb/products/1420898>

Please be informed that the data shown in this PDF document is generated from our online catalog. Please find the complete data in the user documentation. Our general terms of use for downloads are valid.



Sleeve housing B6, with screw locking, material: Die-cast aluminum, salt water resistant, cable outlets: 1, lateral, 1x M25, height: 93.7 mm, cable gland: none, increased environmental requirements

## Commercial data

Item number	1420898
Packing unit	1 pc
Minimum order quantity	1 pc
Sales key	BF7API
Product key	BF7API
Catalog page	Page 597 (C-2-2019)
GTIN	4055626247977
Weight per piece (including packing)	253.4 g
Weight per piece (excluding packing)	253 g
Customs tariff number	85389099
Country of origin	CN

## Technical data

### Notes

General	For contact inserts HC-B6, BB10, DD24, M
---------	--

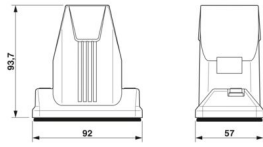
### Product properties

Product type	Housing with screw locking
Housing type	Sleeve housing
Product family	HC-ADV
Application	increased environmental requirements
Type	B6
No. of cable outlets	1
Type of the screw connection	1x M25
Fixing screws	M6 (screw head: 5 mm Allen screw)
Shielded	no
Cable outlet	lateral
Pg screw connection	none

### Connection data

Tightening torque	3 Nm ... 5 Nm (for M6 mounting screws on the sleeve housing)
-------------------	--

### Dimensions

Dimensional drawing	
Width	57 mm
Height	93.7 mm
Length	92 mm

### Installation dimensions

Width of the assembly cutout	35 mm
Length of the assembly cutout	52 mm

### Material specifications

Seal material	Viton
Housing material	Die-cast aluminum, salt water resistant
Housing surface material	Powder-coated, black
Locking latch material	Stainless steel

### Environmental and real-life conditions

#### Ambient conditions

IP66
------

# HC-ADV-B06-HHWH-1STM25-MF-BK - Housing



1420898

<https://www.phoenixcontact.com/gb/products/1420898>

Degree of protection	IP68 (0.2 bar/24 h)
	IP69 (ISO 20653:2013-02)
Enclosure rating (NEMA)	4 (UL 50e)
	4X (UL 50e)
	12 (UL 50e)
Impact strength	IK09
Ambient temperature (operation)	-40 °C ... 125 °C

## Mechanical properties

### Mechanical data

Type of the screw connection	1x M25
Locking type	Screw

## Mounting

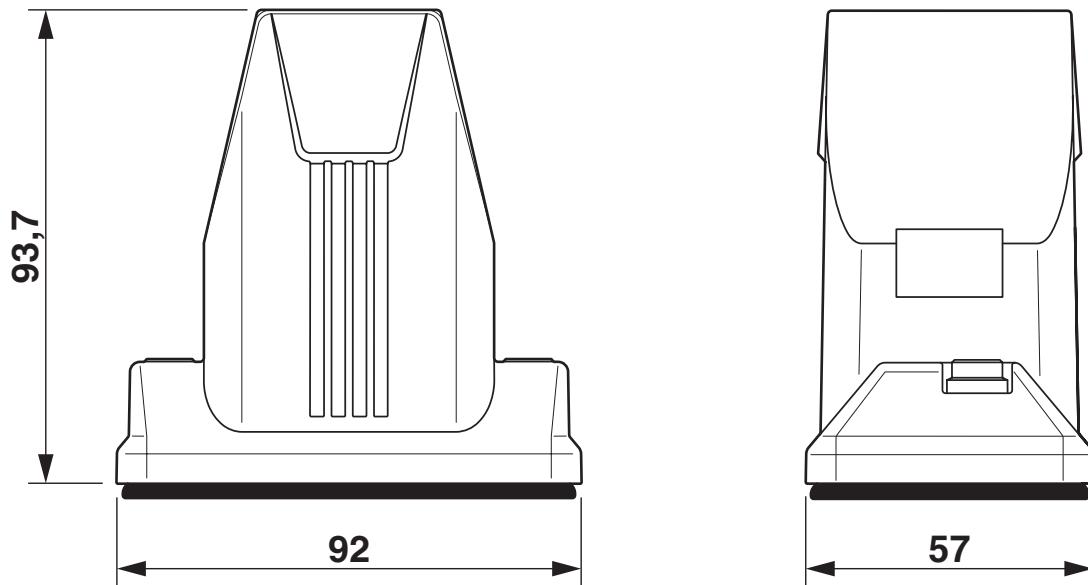
Fixing screws	M6 (screw head: 5 mm Allen screw)
---------------	-----------------------------------

1420898

<https://www.phoenixcontact.com/gb/products/1420898>

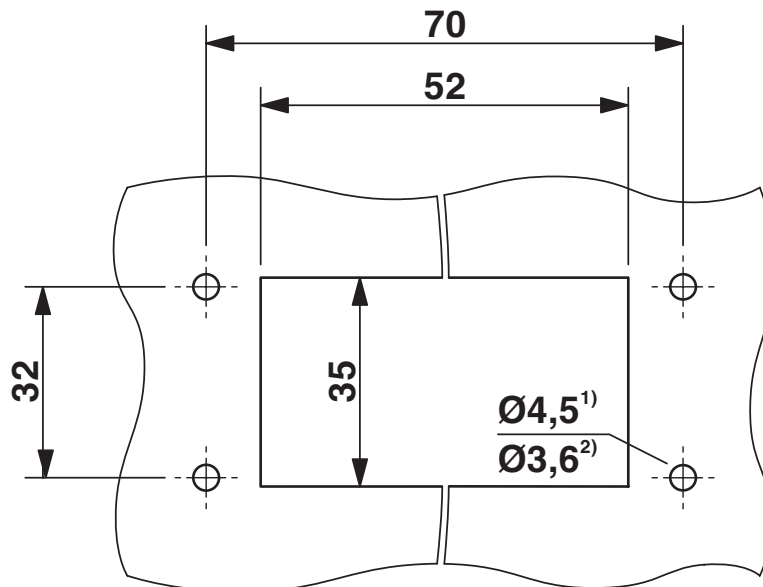
## Drawings

Dimensional drawing



Dimensional drawing

Dimensional drawing



### Mounting cutout

1) when M4 screws are used

2) when self-tapping Torx® screws are used (Torx® 20, M4)

1420898

<https://www.phoenixcontact.com/gb/products/1420898>

## Approvals

🔗 To download certificates, visit the product detail page: <https://www.phoenixcontact.com/gb/products/1420898>

**DNV**

Approval ID: TAE000037S



**cUL Recognized**

Approval ID: E255026



**UL Recognized**

Approval ID: E255026



**EAC**

Approval ID: RU C-DE.AI30.B.01102



**EAC**

Approval ID: RU C-DE.BL08.B.00511

**cULus Recognized**

1420898

<https://www.phoenixcontact.com/gb/products/1420898>

## Classifications

### ECLASS

ECLASS-11.0	27440202
ECLASS-12.0	27440202
ECLASS-13.0	27440202

### ETIM

ETIM 9.0	EC000437
----------	----------

### UNSPSC

UNSPSC 21.0	31261500
-------------	----------

1420898

<https://www.phoenixcontact.com/gb/products/1420898>

## Environmental product compliance

### EU RoHS

Fulfills EU RoHS substance requirements	Yes, No exemptions
---	--------------------

### China RoHS

Environment friendly use period (EFUP)	EFUP-E
	No hazardous substances above the limits

### EU REACH SVHC

REACH candidate substance (CAS No.)	No substance above 0.1 wt%
-------------------------------------	----------------------------

# HC-ADV-B06-HHWH-1STM25-MF-BK - Housing

1420898

<https://www.phoenixcontact.com/gb/products/1420898>

## Accessories

### HC-B-AF - Panel-mount flange

1686533

<https://www.phoenixcontact.com/gb/products/1686533>



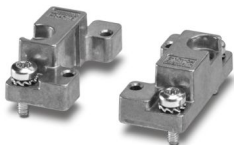
Panel-mount flange for HEAVYCON ADVANCE housing

---

### HC-B-AF-SET - Panel-mount flange

1604638

<https://www.phoenixcontact.com/gb/products/1604638>



Panel-mount flange for HEAVYCON ADVANCE housing, set consisting of: 2 panel-mount flanges with 4 self-tapping screws (M4, Torx<sup>®</sup>) and 4 fan-type washers



# HC-ADV-B06-HHWH-1STM25-MF-BK - Housing

1420898

<https://www.phoenixcontact.com/gb/products/1420898>

## HC-B 6-TMS-SD-IP50 - Protective cover

1690736

<https://www.phoenixcontact.com/gb/products/1690736>



Protective cover B6, with clip locking, protective cover material: PA, height: 31.2 mm, seal: no, with lanyard

---

## G-INS-M25-M68N-PNES-GY - Cable gland

1411126

<https://www.phoenixcontact.com/gb/products/1411126>



Cable gland, material for screw connection: PA, application: Standard, external cable diameter 11 mm ... 17 mm, shielding: no, connecting thread: M25 x 1.5, color: silver-grey RAL 7001

# HC-ADV-B06-HHWH-1STM25-MF-BK - Housing



1420898

<https://www.phoenixcontact.com/gb/products/1420898>

## HC-M-KV-M25(14-21) - Cable gland

1646007

<https://www.phoenixcontact.com/gb/products/1646007>



Metal screw connection up to 5 bar, thread length: 7 mm, cable diameter: 14 - 21 mm, WAF 34, screw connection: M25

---

## G-INSEC-M25-S68N-NCRS-S - Cable gland

1411190

<https://www.phoenixcontact.com/gb/products/1411190>



Cable gland, material for screw connection: Brass, nickel-plated, application: EMC, external cable diameter 11 mm ... 16 mm, shielding: yes, connecting thread: M25 x 1.5, color: silver, with O-ring

# HC-ADV-B06-HHWH-1STM25-MF-BK - Housing

1420898

<https://www.phoenixcontact.com/gb/products/1420898>



## HC-M-KV-M25(1ASI) - Cable gland

1584020

<https://www.phoenixcontact.com/gb/products/1584020>



Metal screw connection for an AS-Interface flat-ribbon conductor, thread type M25

---

## G-INS-M25-M68N-NNES-S - Cable gland

1411165

<https://www.phoenixcontact.com/gb/products/1411165>



Cable gland, material for screw connection: Brass, nickel-plated, application: Standard, external cable diameter 11 mm ... 17 mm, shielding: no, connecting thread: M25 x 1.5, color: silver, with O-ring

# HC-ADV-B06-HHWH-1STM25-MF-BK - Housing



1420898

<https://www.phoenixcontact.com/gb/products/1420898>

## US-EMLP-HA (20X9) - Plastic label

0830989

<https://www.phoenixcontact.com/gb/products/0830989>



Plastic label, Card, white, unlabeled, can be labeled with: BLUEMARK ID COLOR, BLUEMARK ID, THERMOMARK PRIME, THERMOMARK CARD 2.0, THERMOMARK CARD, mounting type: adhesive, lettering field size: 20 x 9 mm, Number of individual labels: 70

---

## US-EMLP-HA (20X9) CUS - Plastic label

0830995

<https://www.phoenixcontact.com/gb/products/0830995>



Plastic label, Card, white, labeled, can be labeled with: THERMOMARK CARD, mounting type: adhesive, lettering field size: 20 x 9 mm, Number of individual labels: 70

# HC-ADV-B06-HHWH-1STM25-MF-BK - Housing

1420898

<https://www.phoenixcontact.com/gb/products/1420898>



## WP-G HF IP66 M25 BK - Screw connection

3240899

<https://www.phoenixcontact.com/gb/products/3240899>



Cable gland, metric thread, IP66 protection, straight

---

## WP-G HF IP69K M25 BK - Screw connection

3240885

<https://www.phoenixcontact.com/gb/products/3240885>



Cable gland, metric thread, IP68/69k protection, straight

# HC-ADV-B06-HHWH-1STM25-MF-BK - Housing

1420898

<https://www.phoenixcontact.com/gb/products/1420898>



## WP-GA HF IP66 M25 BK - Screw connection

3240927

<https://www.phoenixcontact.com/gb/products/3240927>

Cable gland, metric thread, IP66 protection, angled



---

## WP-GA HF IP69K M25 BK - Screw connection

3240913

<https://www.phoenixcontact.com/gb/products/3240913>

Cable gland, metric thread, IP68/69k protection, angled



# HC-ADV-B06-HHWH-1STM25-MF-BK - Housing

1420898

<https://www.phoenixcontact.com/gb/products/1420898>



## WP-GR HF IP66 M25 BK - Screw connection

3240955

<https://www.phoenixcontact.com/gb/products/3240955>



Cable gland, metric thread, IP66 protection, with strain relief

---

## WP-GR HF IP69K M25 BK - Screw connection

3240941

<https://www.phoenixcontact.com/gb/products/3240941>



Cable gland, metric thread, IP68/69k protection, with strain relief

# HC-ADV-B06-HHWH-1STM25-MF-BK - Housing



1420898

<https://www.phoenixcontact.com/gb/products/1420898>

## WP-G PP HF M25 - Screw connection

3240999

<https://www.phoenixcontact.com/gb/products/3240999>



Cable gland made from PP with metric thread, IP65 protection

---

## WP-GT PP HF M25 - Screw connection

3241013

<https://www.phoenixcontact.com/gb/products/3241013>



Cable gland made from PP with metric thread, rotatable, IP54 protection



# HC-ADV-B06-HHWH-1STM25-MF-BK - Housing

1420898

<https://www.phoenixcontact.com/gb/products/1420898>

## WP-G BRASS IP40 M25 - Screw connection

3241048

<https://www.phoenixcontact.com/gb/products/3241048>



Cable gland made from brass with metric thread, IP40 protection

---

## WP-GT BRASS M25 - Screw connection

3241034

<https://www.phoenixcontact.com/gb/products/3241034>



Cable gland made from brass with metric thread, rotatable, IP40 protection

# HC-ADV-B06-HHWH-1STM25-MF-BK - Housing



1420898

<https://www.phoenixcontact.com/gb/products/1420898>

## WP-G BRASS IP65 M25 - Screw connection

3241062

<https://www.phoenixcontact.com/gb/products/3241062>



Cable gland made from brass with metric thread, IP65 protection

---

## SF-BIT-HEXB 5-89 - Screw insert

1208911

<https://www.phoenixcontact.com/gb/products/1208911>



Screw bit, hexagonal with ball head, E6.3-1/4" drive, size: Hex 5 x 89 mm, hardened, suitable for holder according to DIN 3126-F 6.3/ISO 1173

# HC-ADV-B06-HHWH-1STM25-MF-BK - Housing

1420898

<https://www.phoenixcontact.com/gb/products/1420898>



## SF-M BH - Screwdriver

1212070

<https://www.phoenixcontact.com/gb/products/1212070>



Bit screwdriver, with 1/4" quick-action chuck, handle length 119 mm, 2-component handle, with non-slip grip, suitable for bits according to DIN 3126-C 6.3 and E 6.3/ISO 1173, magnetic

---

Phoenix Contact 2024 © - all rights reserved

<https://www.phoenixcontact.com>

PHOENIX CONTACT Ltd

Halesfield 13, Telford

Shropshire, TF7 4PG

01952 681700

[info@phoenixcontact.co.uk](mailto:info@phoenixcontact.co.uk)