

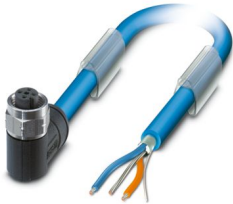
SAC-3P- 5,0-961/M12FR VA - Bus system cable



1419088

<https://www.phoenixcontact.com/us/products/1419088>

Please be informed that the data shown in this PDF document is generated from our online catalog. Please find the complete data in the user documentation. Our general terms of use for downloads are valid.



Bus system cable, PROFIBUS PA (31.25 kbps), 3-position, PVC, blue RAL 5015, shielded, free cable end, on Socket angled M12, coding: A, cable length: 5 m, For Ex area with high-grade steel knurl

Commercial data

Item number	1419088
Packing unit	1 pc
Minimum order quantity	1 pc
Sales key	BF04
Product key	BF1CCG
Catalog page	Page 430 (C-2-2019)
GTIN	4046356541558
Weight per piece (including packing)	351 g
Weight per piece (excluding packing)	222.22 g
Customs tariff number	85444290
Country of origin	PL

SAC-3P- 5,0-961/M12FR VA - Bus system cable



1419088

<https://www.phoenixcontact.com/us/products/1419088>

Technical data

Notes

General	For applications in circuits of intrinsic safety protection type "i". Electrical values following EN 60079-14.
---------	---

Product properties

Product type	Data cable preassembled
Application	Process technology
Sensor type	PROFIBUS PA
Number of positions	3
No. of cable outlets	1
Shielded	yes
Coding	B

Insulation characteristics

Overvoltage category	II
Degree of pollution	3

Interfaces

Bus system	PROFIBUS PA
Signal type/category	PROFIBUS PA, 31.25 kbps

Signaling

Status display	no
Status display present	No

Electrical properties

Nominal voltage U_N	48 V AC
	60 V DC
Nominal current I_N	4 A
Transmission medium	Copper

Mechanical properties

Mechanical data

Insertion/withdrawal cycles	≥ 100
-----------------------------	------------

Material specifications

Flammability rating according to UL 94	HB
Seal material	NBR

Connection data

Pin assignment

1 (Socket) | OG (DATA+)

SAC-3P- 5,0-961/M12FR VA - Bus system cable



1419088

<https://www.phoenixcontact.com/us/products/1419088>

Contact Color (signal designation) Contact (optional)	3 (Socket) BU (DATA-)
	4 (Socket) SR (shield)

Connector

Connection 1

Type	free cable end
------	----------------

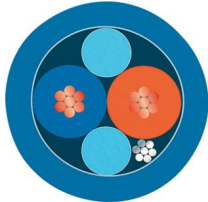
Connection 2

Type	free cable end
------	----------------

Cable/line

Cable length	5 m
--------------	-----

Fieldbus FOUNDATION/PROFIBUS PA, blue [961]

Dimensional drawing	
Cable weight	56.552 kg/km
Number of positions	2
Shielded	yes
Cable type	Fieldbus FOUNDATION/PROFIBUS PA, blue [961]
Conductor structure	2xAWG18/7 + 1xAWG20/7
Signal speed	0.66 c
Conductor structure signal line	7x 0.40 mm
AWG signal line	18
Conductor cross section	2x 0.75 mm ² (Signal line) 1x 0.5 mm ² (Drain wire)
Wire diameter incl. insulation	2.24 mm ±0.05 mm
External cable diameter	7.50 mm ±0.25 mm
Outer sheath, material	PVC
External sheath, color	blue RAL 5015
Conductor material	Tin-plated Cu litz wires
Material wire insulation	PO (Signal line)
Single wire, color	blue, orange
Thickness, insulation	0.50 mm
Thickness, outer sheath	1.00 mm
Twisted pairs	2 cores to the pair
Overall twist	One pair with one drain wire and fillers for core
Optical shield covering	100 %

SAC-3P- 5,0-961/M12FR VA - Bus system cable



1419088

<https://www.phoenixcontact.com/us/products/1419088>

Max. conductor resistance	≤ 19.35 Ω/km (Signal line)
	26 Ω/km (shield)
Cable capacity	147 pF/m (at 1 kHz, core/shield)
	≤ 3.94 pF/m (capacitance unbalance)
Working capacitance	78 nF (at 1 kHz)
Cable impedance	100 Ω ±20 % (At 31.25 kHz)
Nominal voltage, cable	300 V
Smallest bending radius, fixed installation	75 mm
Tensile strength	260 N
Shield attenuation	3.00 dB/km (at 39 kHz)
Flame resistance	UL 1685 (CSA FT 4)
	UL 1685 (vertical tray)
	UL 1666 (riser)
Special properties	UL standards PLTC-ER and ITC
Ambient temperature (operation)	-40 °C ... 105 °C (cable, fixed installation)

Environmental and real-life conditions

Ambient conditions

Degree of protection	IP65
	IP67
	IP68
	IP69K

SAC-3P- 5,0-961/M12FR VA - Bus system cable

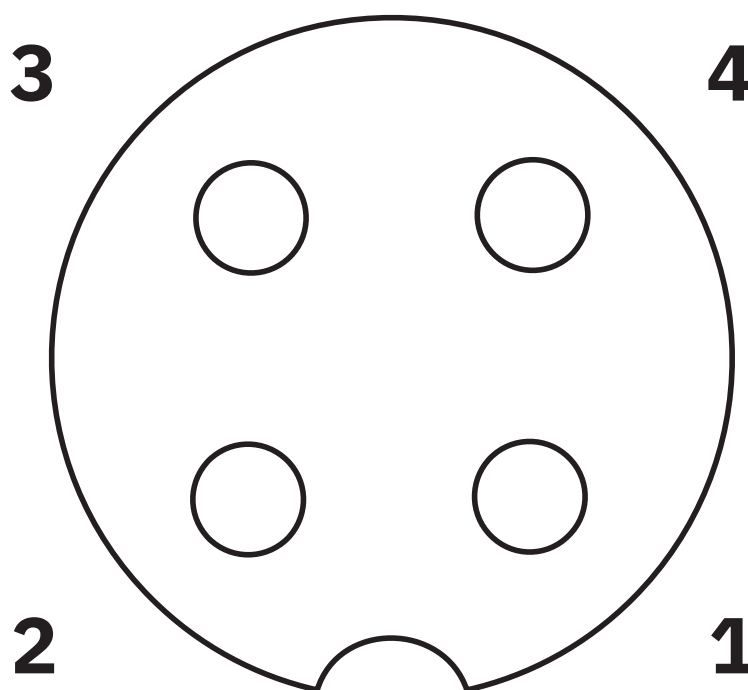
1419088

<https://www.phoenixcontact.com/us/products/1419088>



Drawings

Schematic diagram



Pin assignment M12 socket, 3-pos., A-coded, view female side

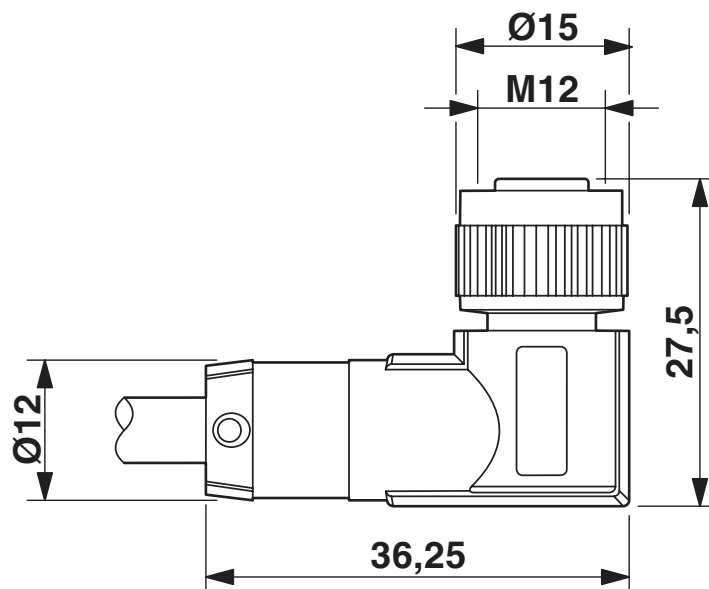
SAC-3P- 5,0-961/M12FR VA - Bus system cable

1419088

<https://www.phoenixcontact.com/us/products/1419088>



Dimensional drawing



M12 x 1 socket, angled

SAC-3P- 5,0-961/M12FR VA - Bus system cable



1419088

<https://www.phoenixcontact.com/us/products/1419088>

Approvals

To download certificates, visit the product detail page: <https://www.phoenixcontact.com/us/products/1419088>



EAC-RoHS

Approval ID: RU D-DE.HB35.B.00387



cULus Listed

Approval ID: E221474

SAC-3P- 5,0-961/M12FR VA - Bus system cable



1419088

<https://www.phoenixcontact.com/us/products/1419088>

Classifications

ECLASS

ECLASS-11.0	27060307
ECLASS-12.0	27060307
ECLASS-13.0	27060307

ETIM

ETIM 9.0	EC001855
----------	----------

UNSPSC

UNSPSC 21.0	26121600
-------------	----------

SAC-3P- 5,0-961/M12FR VA - Bus system cable



1419088

<https://www.phoenixcontact.com/us/products/1419088>

Environmental product compliance

EU RoHS

Fulfills EU RoHS substance requirements	Yes, No exemptions
---	--------------------

China RoHS

Environment friendly use period (EFUP)	EFUP-E
	No hazardous substances above the limits

EU REACH SVHC

REACH candidate substance (CAS No.)	No substance above 0.1 wt%
-------------------------------------	----------------------------

Phoenix Contact 2024 © - all rights reserved
<https://www.phoenixcontact.com>

Phoenix Contact USA
586 Fulling Mill Road
Middletown, PA 17057, United States
(+717) 944-1300
info@phoenixcon.com