

# CUC-DSC-C1BAU-S/DSC24 - D-SUB crimp contact



1418786

<https://www.phoenixcontact.com/pc/products/1418786>

Please be informed that the data shown in this PDF document is generated from our online catalog. Please find the complete data in the user documentation. Our general terms of use for downloads are valid.



D-SUB crimp contact, connection method: Crimp connection, connection cross section: AWG 24-20

## Product description

Standard contact for D-SUB contact inserts

## Your advantages

- High grade
- Various connection methods for every application
- Turned contact

## Commercial data

Item number	1418786
Packing unit	100 pc
Minimum order quantity	100 pc
Product key	ABNCAC
Catalog page	Page 446 (C-2-2019)
GTIN	4055626150734
Weight per piece (including packing)	0.165 g
Weight per piece (excluding packing)	0.139 g
Customs tariff number	85366990
Country of origin	CH

# CUC-DSC-C1BAU-S/DSC24 - D-SUB crimp contact



1418786

<https://www.phoenixcontact.com/pc/products/1418786>

## Technical data

### Notes

General	Test voltage only in combination with contact insert, Item no.: 1688858.
---------	--

### Mounting

Mounting type	Crimp connection
---------------	------------------

### Product properties

Product type	Crimp contact
Series	HC-M-DSUB-C
	HC-M-08-GBIT
	HC-M-25
	HC-M-EMV
Type	Individual male contact
Contact material type	turned

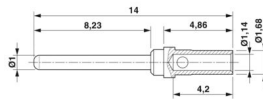
### Connection data

Connection method	Crimp connection
Contact connection type	Pin
Connection technology	Crimp connection
Conductor cross section	0.2 mm <sup>2</sup> ... 0.5 mm <sup>2</sup>
Connection cross section AWG	24 ... 20

### Material specifications

Material	Metal
Contact material	Copper alloy
Contact surface material	0.2 µm, gold over nickel

### Dimensions

Dimensional drawing	
Width	1.68 mm
Height	1.68 mm
Length	14 mm

### Mechanical characteristics

Contact diameter	1 mm
------------------	------

### Electrical properties

Maximum load current	5 A
----------------------	-----

# CUC-DSC-C1BAU-S/DSC24 - D-SUB crimp contact



1418786

<https://www.phoenixcontact.com/pc/products/1418786>

Rated surge voltage	1.2 kV
	1.2 kV (1 min.)
Rated current	5 A (at 20 °C)
Test voltage	1500 V

## Mechanical properties

### Mechanical data

Insertion/withdrawal cycles	$\geq 200$
Insertion force per signal contact	$\leq 3.40$ N

## Environmental and real-life conditions

### Ambient conditions

Ambient temperature (operation)	-55 °C ... 130 °C
---------------------------------	-------------------

# CUC-DSC-C1BAU-S/DSC24 - D-SUB crimp contact

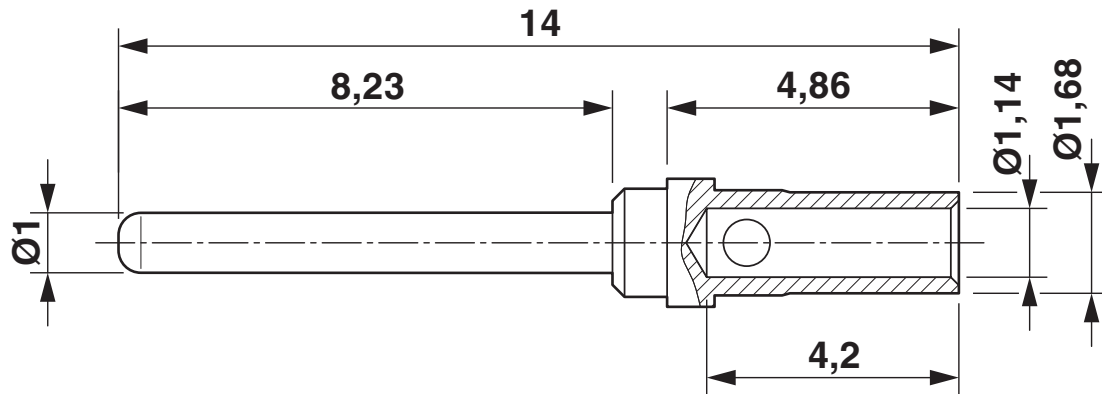


1418786

<https://www.phoenixcontact.com/pc/products/1418786>

## Drawings

Dimensional drawing



D-SUB crimp contact pin

# CUC-DSC-C1BAU-S/DSC24 - D-SUB crimp contact



1418786

<https://www.phoenixcontact.com/pc/products/1418786>

## Classifications

### ECLASS

ECLASS-11.0	27440204
ECLASS-12.0	27440204
ECLASS-13.0	27440204

### ETIM

ETIM 9.0	EC000796
----------	----------

### UNSPSC

UNSPSC 21.0	39121500
-------------	----------

1418786

<https://www.phoenixcontact.com/pc/products/1418786>

## Environmental product compliance

### EU RoHS

Fulfills EU RoHS substance requirements	Yes
Exemption	6(c)

### China RoHS

Environment friendly use period (EFUP)	EFUP-50
	An article-related China RoHS declaration table can be found in the download area for the respective article under "Manufacturer declaration". For all articles with EFUP-E, no China RoHS declaration table issued and required.

### EU REACH SVHC

REACH candidate substance (CAS No.)	Lead(CAS: 7439-92-1)
SCIP	f77cbff4-b4c1-46dc-a1a5-73afd347f346

Phoenix Contact 2024 © - all rights reserved

<https://www.phoenixcontact.com>

PHOENIX CONTACT GmbH & Co. KG

Flachsmarktstraße 8

D-32825 Blomberg

+49 (0) 5235-3 00

[info@phoenixcontact.com](mailto:info@phoenixcontact.com)