

# SACC-CC-5QO-0,75 SH - Conductor connectors



1414417

<https://www.phoenixcontact.com/pc/products/1414417>

Please be informed that the data shown in this PDF document is generated from our online catalog. Please find the complete data in the user documentation. Our general terms of use for downloads are valid.



Cable connector, 5-pos., halogen-free, shielded, insulation displacement connection, housing material: zinc die-cast, nickel-plated, outer cable diameter of 5 mm ... 9.7 mm

## Your advantages

- Innovative and time saving - QUICKON fast connection for time saving of up to 80 % for on-site connection
- Safe use in the field, thanks to a high degree of protection
- Reliable signal transmission – 360° shielding in environments with electromagnetic interference
- Insulation displacement connection: innovative and time-saving assembly without stripping the single wire

## Commercial data

|                                      |                                |
|--------------------------------------|--------------------------------|
| Item number                          | 1414417                        |
| Packing unit                         | 1 pc                           |
| Minimum order quantity               | 1 pc                           |
| Note                                 | Made to order (non-returnable) |
| Product key                          | BF6ECA                         |
| Catalog page                         | Page 21 (C-2-2019)             |
| GTIN                                 | 4055626026732                  |
| Weight per piece (including packing) | 59.4 g                         |
| Weight per piece (excluding packing) | 59 g                           |
| Customs tariff number                | 85366990                       |
| Country of origin                    | DE                             |

## Technical data

### Notes

|         |  |
|---------|--|
| General | <b>NOTE:</b> Observe the permissible bending radii when laying conductors, since the degree of protection may be put in jeopardy if the bending forces are too high. Alleviate mechanical loads upstream of the connector, e.g. by using cable ties. |
|---------|--|

### Mounting

|                       |   |
|-----------------------|---|
| Assembly instructions | If the conductor is to be reconnected, it must be cut off above the last contact point. |
|-----------------------|---|

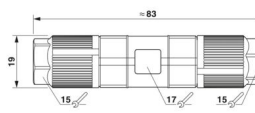
### Product properties

|                      |                 |
|----------------------|-----------------|
| Product type         | Cable connector |
| Sensor type          | Universal       |
| Number of positions  | 5               |
| No. of cable outlets | 2               |
| Shielded             | yes             |

### Insulation characteristics

|                      |    |
|----------------------|----|
| Overvoltage category | II |
| Degree of pollution  | 3  |

### Dimensions

|                          |  |
|--------------------------|--|
| Dimensional drawing      |  |
| Length                   | 83 mm  |
| Wrench size, union nut   | 15 mm  |
| Wrench size, counter nut | 17 mm  |

### External dimensions

|                  |                 |
|------------------|-----------------|
| Outside diameter | 5 mm ... 9.7 mm |
|------------------|-----------------|

### Connection data

#### Connection technology

|   |                                    |
|---|------------------------------------|
| Connection method   | Insulation displacement connection |
| Frequency of connections between conductors of the same cross section | 10                                 |

#### Conductor connection

|   |                     |
|---|---------------------|
| Structure of individual litz in acc. with VDE 0295 / smallest wire diameter | Class 2-6           |
| Tightening torque   | 5 Nm (Pressure nut) |

# SACC-CC-5QO-0,75 SH - Conductor connectors



1414417

<https://www.phoenixcontact.com/pc/products/1414417>

|                                    |                     |
|------------------------------------|---------------------|
| Wrench size, union nut             | 15 mm               |
| Wrench size, contact carrier       | 17 mm               |
| Wire diameter including insulation | 0.75 mm ... 2 mm    |
| Tightening torque                  | 5 Nm (Pressure nut) |

## Pin assignment

|   |        |
|---|--------|
| Contact   Color (signal designation)   Contact (optional) | 2 = WH |
|   | 3 = BU |
|   | 4 = BK |
|   | 5 = GY |

## Electrical properties

|                                |          |
|--------------------------------|----------|
| Rated surge voltage            | 0.8 kV   |
| Insulation resistance          | ≥ 100 MΩ |
| Nominal voltage U <sub>N</sub> | 48 V AC  |
|                                | 60 V DC  |
| Nominal current I <sub>N</sub> | 4 A      |

## Material specifications

|  |   |
|--|---|
| Flammability rating according to UL 94 | V0  |
| Seal material                          | NBR   |
| Material of grip body                  | Zinc die-cast, nickel-plated  |
| Contact material                       | CuSn  |
| Contact surface material               | Ni/Au   |
| Contact carrier material               | PA 6.6  |
| Material for screw connection          | Zinc die-cast, nickel-plated  |
| Standards/regulations                  | PA 6.6: Fire protection in rail vehicles - requirement sets R22, R23, and R24 acc. to DIN EN 45545-2 (Risk level HL1 - HL3) |
| Wire insulation material               | PVC / PE / PP / rubber  |

## Connector

### Connection 1

|             |                  |
|-------------|------------------|
| Head design | Cable connectors |
|-------------|------------------|

## Cable/line

|                      |           |
|----------------------|-----------|
| Signal type/category | Universal |
|----------------------|-----------|

## Environmental and real-life conditions

### Ambient conditions

|                                 |                  |
|---------------------------------|------------------|
| Degree of protection            | IP65             |
|                                 | IP67             |
| Ambient temperature (operation) | -40 °C ... 85 °C |
| Ambient temperature (assembly)  | -5 °C ... 50 °C  |

## Standards and regulations

# SACC-CC-5QO-0,75 SH - Conductor connectors



1414417

<https://www.phoenixcontact.com/pc/products/1414417>

## Testing

|                          |   |
|--------------------------|---|
| Standards/regulations    | PA 6.6: Fire protection in rail vehicles - requirement sets R22, R23, and R24 acc. to DIN EN 45545-2 (Risk level HL1 - HL3) |
| Standards/specifications | according to IEC 61076-2-101  |
| Standard designation     | Shock, vibration  |
| Standards/specifications | EN 50155:2001   |

Phoenix Contact 2024 © - all rights reserved

<https://www.phoenixcontact.com>

PHOENIX CONTACT GmbH & Co. KG

Flachsmarktstraße 8

D-32825 Blomberg

+49 (0) 5235-3 00

[info@phoenixcontact.com](mailto:info@phoenixcontact.com)