

HC-STA-B16-HLWD-1STM32-EL-AL - Housing



1412734

<https://www.phoenixcontact.com/gb/products/1412734>

Please be informed that the data shown in this PDF document is generated from our online catalog. Please find the complete data in the user documentation. Our general terms of use for downloads are valid.



Sleeve housing B16, with double locking latch, material: Die-cast aluminum, salt water resistant, cable outlets: 1, lateral, 1x M32, height: 60 mm, cable gland: none, Standard

Your advantages

- Good shielding in the event of electromagnetic interference

Commercial data

Item number	1412734
Packing unit	1 pc
Minimum order quantity	1 pc
Sales key	BF7APB
Product key	BF7APB
Catalog page	Page 628 (C-2-2019)
GTIN	4055626060088
Weight per piece (including packing)	221.4 g
Weight per piece (excluding packing)	221.4 g
Customs tariff number	85389099
Country of origin	PL

1412734

<https://www.phoenixcontact.com/gb/products/1412734>

Technical data

Notes

General	For contact inserts HC-B16, BB32, D40, DD72, HS6, HV6, M, K
General	also available as a powder-coated or color version: 1373182 HC-STA-B16-HLWD-1STM32-EL/...

Product properties

Product type	Housing with locking latch
Housing type	Sleeve housing
Application	Standard
Type	B16
No. of cable outlets	1
Type of the screw connection	1x M32
Cable outlet	lateral
Pg screw connection	none

Dimensions

Dimensional drawing	
Width	44 mm
Height	60 mm
Length	93.5 mm

Material specifications

Flammability rating according to UL 94	V0 (Interlock)
Housing material	Die-cast aluminum, salt water resistant
Housing surface material	uncoated
Locking latch material	PA

Mechanical properties

Mechanical data

Type of the screw connection	1x M32
Locking type	Latch

Environmental and real-life conditions

Ambient conditions

Degree of protection	IP66
	IP67
	4 (UL 50e)

HC-STA-B16-HLWD-1STM32-EL-AL - Housing



1412734

<https://www.phoenixcontact.com/gb/products/1412734>

Enclosure rating (NEMA)	4X (UL 50e)
	12 (UL 50e)
Impact strength	IK09
Ambient temperature (operation)	-40 °C ... 125 °C

HC-STA-B16-HLWD-1STM32-EL-AL - Housing

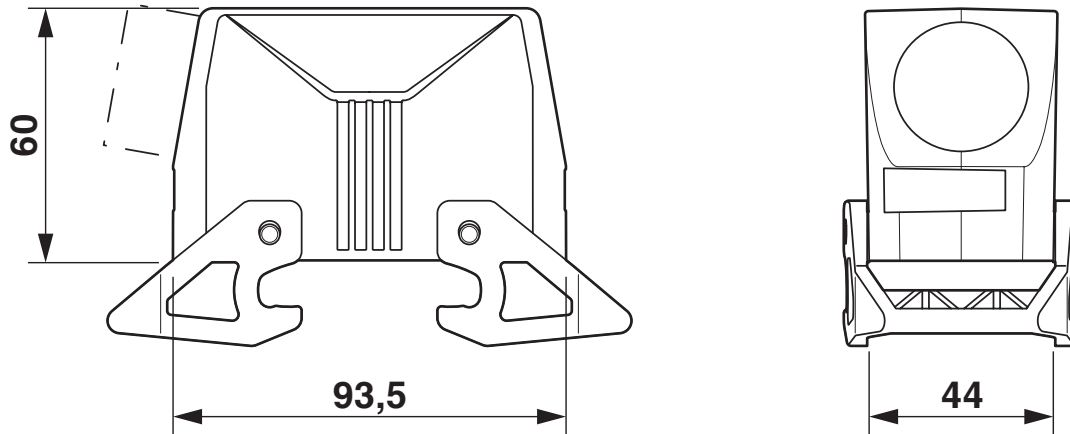


1412734

<https://www.phoenixcontact.com/gb/products/1412734>

Drawings

Dimensional drawing



Dimensional drawing

1412734

<https://www.phoenixcontact.com/gb/products/1412734>

Approvals

🔗 To download certificates, visit the product detail page: <https://www.phoenixcontact.com/gb/products/1412734>

DNV

Approval ID: TAE000037S



cUL Recognized

Approval ID: E255026



UL Recognized

Approval ID: E255026



EAC

Approval ID: RU C-DE.AI30.B.01102



EAC

Approval ID: RU C-DE.BL08.B.00511

cULus Recognized

1412734

<https://www.phoenixcontact.com/gb/products/1412734>

Classifications

ECLASS

ECLASS-11.0	27440202
ECLASS-12.0	27440202
ECLASS-13.0	27440202

ETIM

ETIM 9.0	EC000437
----------	----------

UNSPSC

UNSPSC 21.0	31261500
-------------	----------

1412734

<https://www.phoenixcontact.com/gb/products/1412734>

Environmental product compliance

EU RoHS

Fulfills EU RoHS substance requirements	Yes, No exemptions
---	--------------------

China RoHS

Environment friendly use period (EFUP)	EFUP-E
	No hazardous substances above the limits

EU REACH SVHC

REACH candidate substance (CAS No.)	No substance above 0.1 wt%
-------------------------------------	----------------------------

1412734

<https://www.phoenixcontact.com/gb/products/1412734>

Accessories

G-INS-M32-M68N-NNES-S - Cable gland

1411166

<https://www.phoenixcontact.com/gb/products/1411166>



Cable gland, material for screw connection: Brass, nickel-plated, application: Standard, external cable diameter 15 mm ... 21 mm, shielding: no, connecting thread: M32 x 1.5, color: silver, with O-ring

G-INSEC-M32-M68N-NCRS-S - Cable gland

1411191

<https://www.phoenixcontact.com/gb/products/1411191>



Cable gland, material for screw connection: Brass, nickel-plated, application: EMC, external cable diameter 14 mm ... 21 mm, shielding: yes, connecting thread: M32 x 1.5, color: silver, with O-ring

HC-STA-B16-HLWD-1STM32-EL-AL - Housing



1412734

<https://www.phoenixcontact.com/gb/products/1412734>

US-EMLP (20X9) CUS - Plastic label

0830085

<https://www.phoenixcontact.com/gb/products/0830085>

Plastic label, can be ordered: by card, white, labeled according to customer specifications, mounting type: adhesive, lettering field size: 20 x 9 mm, Number of individual labels: 75



HC-STA-B10-24-DL-PLBK - Housing brackets

1412886

<https://www.phoenixcontact.com/gb/products/1412886>

Double locking latch for B10 / B16 / B24 housing, HC-EVO....AL and HC-STA....AL



HC-STA-B16-HLWD-1STM32-EL-AL - Housing



1412734

<https://www.phoenixcontact.com/gb/products/1412734>

HC-B16-HCFD-PR-BK - Protective cover

1346543

<https://www.phoenixcontact.com/gb/products/1346543>



Protective cover B16, for double locking latch, protective cover material: PC, height: 26.4 mm, seal: yes

US-EMLP-HA (20X9) - Plastic label

0830989

<https://www.phoenixcontact.com/gb/products/0830989>



Plastic label, Card, white, unlabeled, can be labeled with: BLUEMARK ID COLOR, BLUEMARK ID, THERMOMARK PRIME, THERMOMARK CARD 2.0, THERMOMARK CARD, mounting type: adhesive, lettering field size: 20 x 9 mm, Number of individual labels: 70

HC-STA-B16-HLWD-1STM32-EL-AL - Housing

1412734

<https://www.phoenixcontact.com/gb/products/1412734>

WP-G HF IP66 M32 BK - Screw connection

3240900

<https://www.phoenixcontact.com/gb/products/3240900>



Cable gland, metric thread, IP66 protection, straight

WP-G HF IP69K M32 BK - Screw connection

3240886

<https://www.phoenixcontact.com/gb/products/3240886>



Cable gland, metric thread, IP68/69k protection, straight

HC-STA-B16-HLWD-1STM32-EL-AL - Housing

1412734

<https://www.phoenixcontact.com/gb/products/1412734>



WP-GA HF IP66 M32 BK - Screw connection

3240928

<https://www.phoenixcontact.com/gb/products/3240928>

Cable gland, metric thread, IP66 protection, angled



WP-GA HF IP69K M32 BK - Screw connection

3240914

<https://www.phoenixcontact.com/gb/products/3240914>

Cable gland, metric thread, IP68/69k protection, angled



HC-STA-B16-HLWD-1STM32-EL-AL - Housing

1412734

<https://www.phoenixcontact.com/gb/products/1412734>

WP-GR HF IP66 M32 BK - Screw connection

3240956

<https://www.phoenixcontact.com/gb/products/3240956>



Cable gland, metric thread, IP66 protection, with strain relief

WP-GR HF IP69K M32 BK - Screw connection

3240942

<https://www.phoenixcontact.com/gb/products/3240942>



Cable gland, metric thread, IP68/69k protection, with strain relief

HC-STA-B16-HLWD-1STM32-EL-AL - Housing

1412734

<https://www.phoenixcontact.com/gb/products/1412734>

WP-G PP HF M32 - Screw connection

3241000

<https://www.phoenixcontact.com/gb/products/3241000>



Cable gland made from PP with metric thread, IP65 protection

WP-GT PP HF M32 - Screw connection

3241014

<https://www.phoenixcontact.com/gb/products/3241014>



Cable gland made from PP with metric thread, rotatable, IP54 protection

HC-STA-B16-HLWD-1STM32-EL-AL - Housing

1412734

<https://www.phoenixcontact.com/gb/products/1412734>

WP-G BRASS IP40 M32 - Screw connection

3241049

<https://www.phoenixcontact.com/gb/products/3241049>

Cable gland made from brass with metric thread, IP40 protection



WP-GT BRASS M32 - Screw connection

3241035

<https://www.phoenixcontact.com/gb/products/3241035>

Cable gland made from brass with metric thread, rotatable, IP40 protection



HC-STA-B16-HLWD-1STM32-EL-AL - Housing



1412734

<https://www.phoenixcontact.com/gb/products/1412734>

WP-G BRASS IP65 M32 - Screw connection

3241063

<https://www.phoenixcontact.com/gb/products/3241063>

Cable gland made from brass with metric thread, IP65 protection



Phoenix Contact 2024 © - all rights reserved

<https://www.phoenixcontact.com>

PHOENIX CONTACT Ltd

Halesfield 13, Telford

Shropshire, TF7 4PG

01952 681700

info@phoenixcontact.co.uk