

HC-STA-B10-HHFS-1STP29-EL-AL - Housing



1412603

<https://www.phoenixcontact.com/gb/products/1412603>

Please be informed that the data shown in this PDF document is generated from our online catalog. Please find the complete data in the user documentation. Our general terms of use for downloads are valid.



Sleeve housing B10, for single locking latch, material: Die-cast aluminum, salt water resistant, cable outlets: 1, lateral, 1x Pg29, height: 72 mm, cable gland: none, Standard

Your advantages

- Good shielding in the event of electromagnetic interference

Commercial data

Item number	1412603
Packing unit	1 pc
Minimum order quantity	1 pc
Sales key	BF7APB
Product key	BF7APB
Catalog page	Page 606 (C-2-2019)
GTIN	4055626059303
Weight per piece (including packing)	181.4 g
Weight per piece (excluding packing)	181.4 g
Customs tariff number	85389099
Country of origin	PL

HC-STA-B10-HHFS-1STP29-EL-AL - Housing



1412603

<https://www.phoenixcontact.com/gb/products/1412603>

Technical data

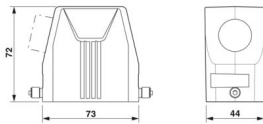
Notes

General	for contact inserts HC-B10, BB18, DD42, M, K8/24, HV03
General	also available as a powder-coated or color version: 1372721 HC-STA-B10-HHFS-1STP29-EL/...

Product properties

Product type	Housing with locking latch
Housing type	Sleeve housing
Application	Standard
Type	B10
No. of cable outlets	1
Type of the screw connection	1x Pg29
Cable outlet	lateral
Pg screw connection	none

Dimensions

Dimensional drawing	
Width	44 mm
Height	72 mm
Length	73 mm

Internal dimensions

Length of internal thread	14 mm
---------------------------	-------

Material specifications

Housing material	Die-cast aluminum, salt water resistant
Housing surface material	uncoated

Mechanical properties

Mechanical data

Type of the screw connection	1x Pg29
Locking type	Pin

Environmental and real-life conditions

Ambient conditions

Degree of protection	IP66
	IP67

HC-STA-B10-HHFS-1STP29-EL-AL - Housing



1412603

<https://www.phoenixcontact.com/gb/products/1412603>

Enclosure rating (NEMA)	4 (UL 50e)
	4X (UL 50e)
	12 (UL 50e)
Impact strength	IK08
Ambient temperature (operation)	-40 °C ... 125 °C

HC-STA-B10-HHFS-1STP29-EL-AL - Housing

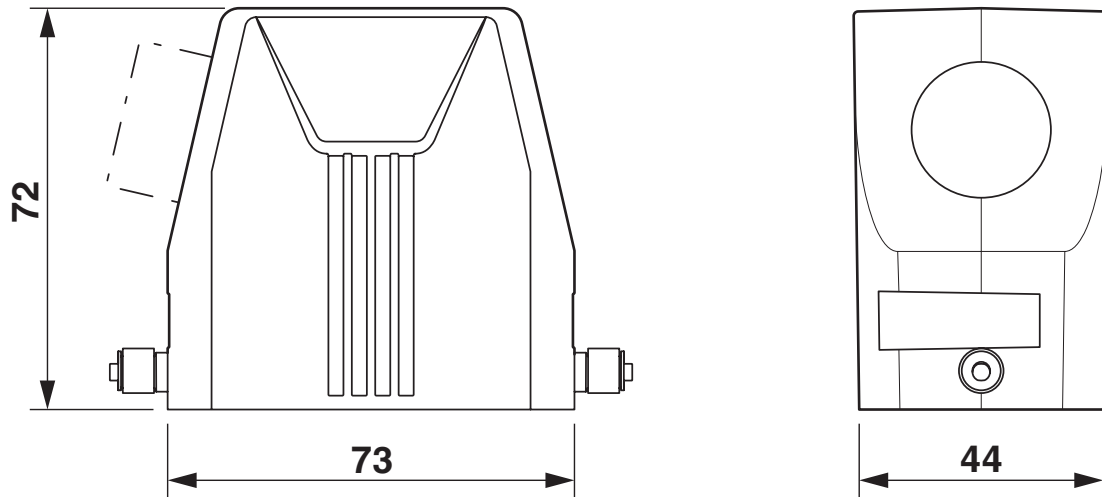
1412603

<https://www.phoenixcontact.com/gb/products/1412603>



Drawings

Dimensional drawing




Dimensional drawing

1412603

<https://www.phoenixcontact.com/gb/products/1412603>

Approvals

 To download certificates, visit the product detail page: <https://www.phoenixcontact.com/gb/products/1412603>

DNV

Approval ID: TAE000037S



cUL Recognized

Approval ID: E255026



UL Recognized

Approval ID: E255026



EAC

Approval ID: RU C-DE.AI30.B.01102



EAC

Approval ID: RU C-DE.BL08.B.00511

cULus Recognized

1412603

<https://www.phoenixcontact.com/gb/products/1412603>

Classifications

ECLASS

ECLASS-11.0	27440202
ECLASS-12.0	27440202
ECLASS-13.0	27440202

ETIM

ETIM 9.0	EC000437
----------	----------

UNSPSC

UNSPSC 21.0	31261500
-------------	----------

1412603

<https://www.phoenixcontact.com/gb/products/1412603>

Environmental product compliance

EU RoHS

Fulfills EU RoHS substance requirements	Yes, No exemptions
---	--------------------

China RoHS

Environment friendly use period (EFUP)	EFUP-E
	No hazardous substances above the limits

EU REACH SVHC

REACH candidate substance (CAS No.)	No substance above 0.1 wt%
-------------------------------------	----------------------------

1412603

<https://www.phoenixcontact.com/gb/products/1412603>

Accessories

G-INS-PG29-M68N-NNES-S - Cable gland

1411176

<https://www.phoenixcontact.com/gb/products/1411176>



Cable gland, material for screw connection: Brass, nickel-plated, application: Standard, external cable diameter 18 mm ... 25 mm, shielding: no, connecting thread: Pg29, color: silver, with O-ring

G-INSEC-PG29-M68N-NNES-S - Cable gland

1411201

<https://www.phoenixcontact.com/gb/products/1411201>



Cable gland, material for screw connection: Brass, nickel-plated, application: EMC, external cable diameter 18 mm ... 25 mm, shielding: yes, connecting thread: Pg29, color: silver, with O-ring

HC-STA-B10-HHFS-1STP29-EL-AL - Housing



1412603

<https://www.phoenixcontact.com/gb/products/1412603>

US-EMLP (20X9) CUS - Plastic label

0830085

<https://www.phoenixcontact.com/gb/products/0830085>

Plastic label, can be ordered: by card, white, labeled according to customer specifications, mounting type: adhesive, lettering field size: 20 x 9 mm, Number of individual labels: 75



HC-B10-HCWS-PLR-BK - Protective cover

1346528

<https://www.phoenixcontact.com/gb/products/1346528>

Protective cover B10, with single locking latch, protective cover material: PC, height: 26.3 mm, seal: yes



HC-STA-B10-HHFS-1STP29-EL-AL - Housing



1412603

<https://www.phoenixcontact.com/gb/products/1412603>

US-EMLP-HA (20X9) - Plastic label

0830989

<https://www.phoenixcontact.com/gb/products/0830989>



Plastic label, Card, white, unlabeled, can be labeled with: BLUEMARK ID COLOR, BLUEMARK ID, THERMOMARK PRIME, THERMOMARK CARD 2.0, THERMOMARK CARD, mounting type: adhesive, lettering field size: 20 x 9 mm, Number of individual labels: 70

WP-G HF IP66 PG29 BK - Screw connection

3240893

<https://www.phoenixcontact.com/gb/products/3240893>



Cable gland, Pg thread, IP66 protection, straight

HC-STA-B10-HHFS-1STP29-EL-AL - Housing

1412603

<https://www.phoenixcontact.com/gb/products/1412603>

WP-G HF IP69K PG29 BK - Screw connection

3240879

<https://www.phoenixcontact.com/gb/products/3240879>



Cable gland, Pg thread, IP68/69k protection, straight

WP-GA HF IP66 PG29 BK - Screw connection

3240921

<https://www.phoenixcontact.com/gb/products/3240921>



Cable gland, Pg thread, IP66 protection, angled

HC-STA-B10-HHFS-1STP29-EL-AL - Housing

1412603

<https://www.phoenixcontact.com/gb/products/1412603>

WP-GR HF IP66 PG29 BK - Screw connection

3240949

<https://www.phoenixcontact.com/gb/products/3240949>



Cable gland, Pg thread, IP66 protection, with strain relief

WP-GR HF IP69K PG29 BK - Screw connection

3240935

<https://www.phoenixcontact.com/gb/products/3240935>



Cable gland, Pg thread, IP68/69k protection, with strain relief

HC-STA-B10-HHFS-1STP29-EL-AL - Housing

1412603

<https://www.phoenixcontact.com/gb/products/1412603>

WP-G PP HF PG29 - Screw connection

3240993

<https://www.phoenixcontact.com/gb/products/3240993>

Cable gland made from PP with Pg thread, IP65 protection



WP-GT PP HF PG29 - Screw connection

3241007

<https://www.phoenixcontact.com/gb/products/3241007>

Cable gland made from PP with Pg thread, rotatable, IP54 protection



HC-STA-B10-HHFS-1STP29-EL-AL - Housing

1412603

<https://www.phoenixcontact.com/gb/products/1412603>

WP-G BRASS IP40 PG29 - Screw connection

3241042

<https://www.phoenixcontact.com/gb/products/3241042>



Cable gland made from brass with Pg thread, IP40 protection

WP-GT BRASS PG29 - Screw connection

3241028

<https://www.phoenixcontact.com/gb/products/3241028>



Cable gland made from brass with Pg thread, rotatable, IP40 protection

HC-STA-B10-HHFS-1STP29-EL-AL - Housing

1412603

<https://www.phoenixcontact.com/gb/products/1412603>



WP-G BRASS IP65 PG29 - Screw connection

3241056

<https://www.phoenixcontact.com/gb/products/3241056>

Cable gland made from brass with Pg thread, IP65 protection



Phoenix Contact 2024 © - all rights reserved

<https://www.phoenixcontact.com>

PHOENIX CONTACT Ltd

Halesfield 13, Telford

Shropshire, TF7 4PG

01952 681700

info@phoenixcontact.co.uk