

HC-STA-B10-HHFS-1STM25-EL-AL - Housing



1412600

<https://www.phoenixcontact.com/us/products/1412600>

Please be informed that the data shown in this PDF document is generated from our online catalog. Please find the complete data in the user documentation. Our general terms of use for downloads are valid.



Sleeve housing B10, for single locking latch, material: Die-cast aluminum, salt water resistant, cable outlets: 1, lateral, 1x M25, height: 72 mm, cable gland: none, Standard

Your advantages

- Good shielding in the event of electromagnetic interference

Commercial data

Item number	1412600
Packing unit	1 pc
Minimum order quantity	1 pc
Sales key	BF56
Product key	BF7APB
Catalog page	Page 606 (C-2-2019)
GTIN	4055626059273
Weight per piece (including packing)	188.6 g
Weight per piece (excluding packing)	187.5 g
Customs tariff number	85389099
Country of origin	PL

HC-STA-B10-HHFS-1STM25-EL-AL - Housing



1412600

<https://www.phoenixcontact.com/us/products/1412600>

Technical data

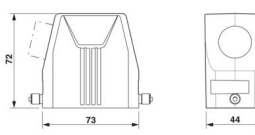
Notes

General	for contact inserts HC-B10, BB18, DD42, M, K8/24, HV03
General	also available as a powder-coated or color version: 1372666 HC-STA-B10-HHFS-1STM25-EL/...

Product properties

Product type	Housing with locking latch
Housing type	Sleeve housing
Application	Standard
Type	B10
No. of cable outlets	1
Type of the screw connection	1x M25
Type	Tall design
Cable outlet	lateral
Pg screw connection	none

Dimensions

Dimensional drawing	
Width	44 mm
Height	72 mm
Length	73 mm

Material specifications

Housing material	Die-cast aluminum, salt water resistant
Housing surface material	uncoated

Mechanical properties

Mechanical data

Type of the screw connection	1x M25
Locking type	Pin

Environmental and real-life conditions

Ambient conditions

Degree of protection	IP66
	IP67
Enclosure rating (NEMA)	4 (UL 50e)
	4X (UL 50e)

HC-STA-B10-HHFS-1STM25-EL-AL - Housing



1412600

<https://www.phoenixcontact.com/us/products/1412600>

	12 (UL 50e)
Impact strength	IK08
Ambient temperature (operation)	-40 °C ... 125 °C

HC-STA-B10-HHFS-1STM25-EL-AL - Housing

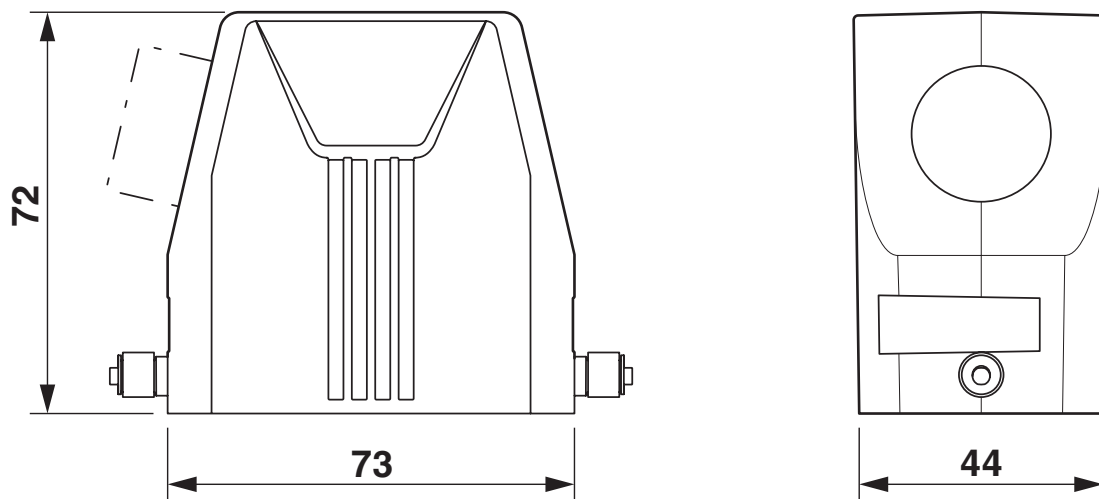
1412600

<https://www.phoenixcontact.com/us/products/1412600>



Drawings

Dimensional drawing



Dimensional drawing

1412600

<https://www.phoenixcontact.com/us/products/1412600>

Approvals

To download certificates, visit the product detail page: <https://www.phoenixcontact.com/us/products/1412600>

DNV

Approval ID: TAE000037S



cUL Recognized

Approval ID: E255026



UL Recognized

Approval ID: E255026



EAC

Approval ID: RU C-DE.AI30.B.01102



EAC

Approval ID: RU C-DE.BL08.B.00511

cULus Recognized

1412600

<https://www.phoenixcontact.com/us/products/1412600>

Classifications

ECLASS

ECLASS-11.0	27440202
ECLASS-12.0	27440202
ECLASS-13.0	27440202

ETIM

ETIM 9.0	EC000437
----------	----------

UNSPSC

UNSPSC 21.0	31261500
-------------	----------

1412600

<https://www.phoenixcontact.com/us/products/1412600>

Environmental product compliance

EU RoHS

Fulfills EU RoHS substance requirements	Yes, No exemptions
---	--------------------

China RoHS

Environment friendly use period (EFUP)	EFUP-E
	No hazardous substances above the limits

EU REACH SVHC

REACH candidate substance (CAS No.)	No substance above 0.1 wt%
-------------------------------------	----------------------------

1412600

<https://www.phoenixcontact.com/us/products/1412600>

Accessories

G-INS-M25-M68N-NNES-S - Cable gland

1411165

<https://www.phoenixcontact.com/us/products/1411165>



Cable gland, material for screw connection: Brass, nickel-plated, application: Standard, external cable diameter 11 mm ... 17 mm, shielding: no, connecting thread: M25 x 1.5, color: silver, with O-ring

G-INSEC-M25-S68N-NCRS-S - Cable gland

1411190

<https://www.phoenixcontact.com/us/products/1411190>



Cable gland, material for screw connection: Brass, nickel-plated, application: EMC, external cable diameter 11 mm ... 16 mm, shielding: yes, connecting thread: M25 x 1.5, color: silver, with O-ring

HC-STA-B10-HHFS-1STM25-EL-AL - Housing

1412600

<https://www.phoenixcontact.com/us/products/1412600>



HC-M-KV-M25(1ASI) - Cable gland

1584020

<https://www.phoenixcontact.com/us/products/1584020>



Metal screw connection for an AS-Interface flat-ribbon conductor, thread type M25

US-EMLP (20X9) CUS - Plastic label

0830085

<https://www.phoenixcontact.com/us/products/0830085>



Plastic label, can be ordered: by card, white, labeled according to customer specifications, mounting type: adhesive, lettering field size: 20 x 9 mm, Number of individual labels: 75

HC-STA-B10-HHFS-1STM25-EL-AL - Housing



1412600

<https://www.phoenixcontact.com/us/products/1412600>

HC-B10-HCWS-PLR-BK - Protective cover

1346528

<https://www.phoenixcontact.com/us/products/1346528>



Protective cover B10, with single locking latch, protective cover material: PC, height: 26.3 mm, seal: yes

US-EMLP-HA (20X9) - Plastic label

0830989

<https://www.phoenixcontact.com/us/products/0830989>



Plastic label, Card, white, unlabeled, can be labeled with: BLUEMARK ID COLOR, BLUEMARK ID, THERMOMARK PRIME, THERMOMARK CARD 2.0, THERMOMARK CARD, mounting type: adhesive, lettering field size: 20 x 9 mm, Number of individual labels: 70

HC-STA-B10-HHFS-1STM25-EL-AL - Housing

1412600

<https://www.phoenixcontact.com/us/products/1412600>

WP-G HF IP66 M25 BK - Screw connection

3240899

<https://www.phoenixcontact.com/us/products/3240899>



Cable gland, metric thread, IP66 protection, straight

WP-G HF IP69K M25 BK - Screw connection

3240885

<https://www.phoenixcontact.com/us/products/3240885>



Cable gland, metric thread, IP68/69k protection, straight

HC-STA-B10-HHFS-1STM25-EL-AL - Housing

1412600

<https://www.phoenixcontact.com/us/products/1412600>



WP-GA HF IP66 M25 BK - Screw connection

3240927

<https://www.phoenixcontact.com/us/products/3240927>

Cable gland, metric thread, IP66 protection, angled



WP-GA HF IP69K M25 BK - Screw connection

3240913

<https://www.phoenixcontact.com/us/products/3240913>

Cable gland, metric thread, IP68/69k protection, angled



HC-STA-B10-HHFS-1STM25-EL-AL - Housing

1412600

<https://www.phoenixcontact.com/us/products/1412600>

WP-GR HF IP66 M25 BK - Screw connection

3240955

<https://www.phoenixcontact.com/us/products/3240955>



Cable gland, metric thread, IP66 protection, with strain relief

WP-GR HF IP69K M25 BK - Screw connection

3240941

<https://www.phoenixcontact.com/us/products/3240941>



Cable gland, metric thread, IP68/69k protection, with strain relief

HC-STA-B10-HHFS-1STM25-EL-AL - Housing

1412600

<https://www.phoenixcontact.com/us/products/1412600>

WP-G PP HF M25 - Screw connection

3240999

<https://www.phoenixcontact.com/us/products/3240999>

Cable gland made from PP with metric thread, IP65 protection



WP-GT PP HF M25 - Screw connection

3241013

<https://www.phoenixcontact.com/us/products/3241013>

Cable gland made from PP with metric thread, rotatable, IP54 protection



HC-STA-B10-HHFS-1STM25-EL-AL - Housing

1412600

<https://www.phoenixcontact.com/us/products/1412600>

WP-G BRASS IP40 M25 - Screw connection

3241048

<https://www.phoenixcontact.com/us/products/3241048>



Cable gland made from brass with metric thread, IP40 protection

WP-GT BRASS M25 - Screw connection

3241034

<https://www.phoenixcontact.com/us/products/3241034>



Cable gland made from brass with metric thread, rotatable, IP40 protection

HC-STA-B10-HHFS-1STM25-EL-AL - Housing



1412600

<https://www.phoenixcontact.com/us/products/1412600>

WP-G BRASS IP65 M25 - Screw connection

3241062

<https://www.phoenixcontact.com/us/products/3241062>

Cable gland made from brass with metric thread, IP65 protection



Phoenix Contact 2024 © - all rights reserved

<https://www.phoenixcontact.com>

Phoenix Contact USA
586 Fulling Mill Road
Middletown, PA 17057, United States
(+717) 944-1300
info@phoenixcon.com