

HC-STA-B10-CHWD-1TTM20-ELC-AL - Housing



1412578

<https://www.phoenixcontact.com/gb/products/1412578>

Please be informed that the data shown in this PDF document is generated from our online catalog. Please find the complete data in the user documentation. Our general terms of use for downloads are valid.



Coupling housings B10, with double locking latch, material: Die-cast aluminum, salt water resistant, cable outlets: 1, straight, 1x M20, height: 73 mm, cable gland: none, Standard

Your advantages

- Good shielding in the event of electromagnetic interference

Commercial data

Item number	1412578
Packing unit	1 pc
Minimum order quantity	1 pc
Sales key	BF7APB
Product key	BF7APB
Catalog page	Page 609 (C-2-2019)
GTIN	4055626030531
Weight per piece (including packing)	218.3 g
Weight per piece (excluding packing)	218.3 g
Customs tariff number	85389099
Country of origin	PL

1412578

<https://www.phoenixcontact.com/gb/products/1412578>

Technical data

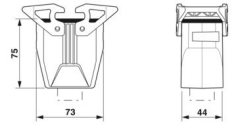
Notes

General	For contact inserts HC-B10, BB18, DD42, M, K8/24
---------	--

Product properties

Product type	Housing with locking latch
Housing type	Coupling housings
Application	Standard
Type	B10
No. of cable outlets	1
Type of the screw connection	1x M20
Cable outlet	straight
Pg screw connection	none

Dimensions

Dimensional drawing	
Width	44 mm
Height	73 mm
Length	73 mm

Material specifications

Flammability rating according to UL 94	V0 (Interlock)
Seal material	NBR, conductive
Housing material	Die-cast aluminum, salt water resistant
Housing surface material	uncoated
Locking latch material	PA

Mechanical properties

Mechanical data

Type of the screw connection	1x M20
Locking type	Latch

Environmental and real-life conditions

Ambient conditions

Degree of protection	IP66
	IP67
Enclosure rating (NEMA)	4 (UL 50e)
	4X (UL 50e)

HC-STA-B10-CHWD-1TTM20-ELC-AL - Housing



1412578

<https://www.phoenixcontact.com/gb/products/1412578>

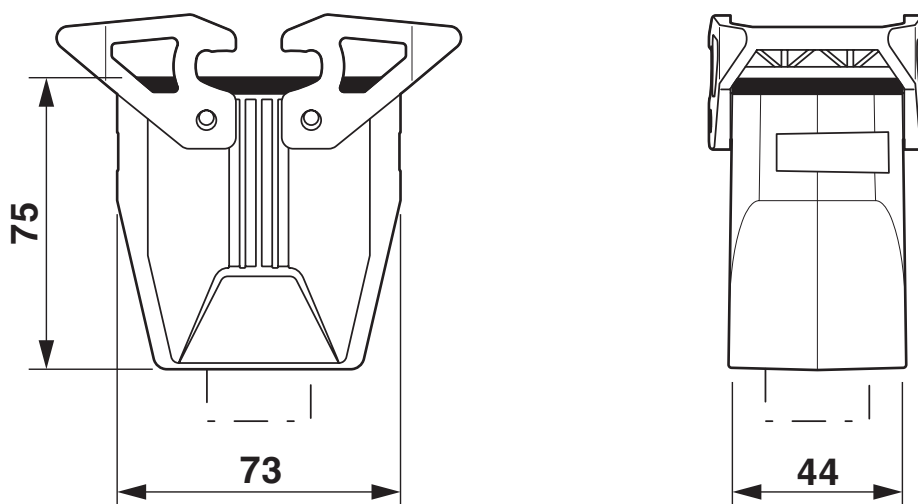
	12 (UL 50e)
Impact strength	IK09
Ambient temperature (operation)	-40 °C ... 125 °C

1412578

<https://www.phoenixcontact.com/gb/products/1412578>

Drawings

Dimensional drawing



Dimensional drawing

1412578

<https://www.phoenixcontact.com/gb/products/1412578>

Approvals

To download certificates, visit the product detail page: <https://www.phoenixcontact.com/gb/products/1412578>

DNV

Approval ID: TAE000037S



cUL Recognized

Approval ID: E255026



UL Recognized

Approval ID: E255026



EAC

Approval ID: RU C-DE.AI30.B.01102



EAC

Approval ID: RU C-DE.BL08.B.00511

cULus Recognized

1412578

<https://www.phoenixcontact.com/gb/products/1412578>

Classifications

ECLASS

ECLASS-11.0	27440202
ECLASS-12.0	27440202
ECLASS-13.0	27440202

ETIM

ETIM 9.0	EC000437
----------	----------

UNSPSC

UNSPSC 21.0	31261500
-------------	----------

1412578

<https://www.phoenixcontact.com/gb/products/1412578>

Environmental product compliance

EU RoHS

Fulfills EU RoHS substance requirements	Yes, No exemptions
---	--------------------

China RoHS

Environment friendly use period (EFUP)	EFUP-E
	No hazardous substances above the limits

EU REACH SVHC

REACH candidate substance (CAS No.)	No substance above 0.1 wt%
-------------------------------------	----------------------------

1412578

<https://www.phoenixcontact.com/gb/products/1412578>

Accessories

G-INS-M20-S68N-NNES-S - Cable gland

1411163

<https://www.phoenixcontact.com/gb/products/1411163>



Cable gland, material for screw connection: Brass, nickel-plated, application: Standard, external cable diameter 6 mm ... 12 mm, shielding: no, connecting thread: M20 x 1.5, color: silver, with O-ring

G-INSEC-M20-S68N-NCRS-S - Cable gland

1411189

<https://www.phoenixcontact.com/gb/products/1411189>



Cable gland, material for screw connection: Brass, nickel-plated, application: EMC, external cable diameter 9 mm ... 13 mm, shielding: yes, connecting thread: M20 x 1.5, color: silver, with O-ring

HC-STA-B10-CHWD-1TTM20-ELC-AL - Housing

1412578

<https://www.phoenixcontact.com/gb/products/1412578>



HC-M-KV-M20(1ASI) - Cable gland

1584017

<https://www.phoenixcontact.com/gb/products/1584017>



Metal screw connection for an AS-Interface flat-ribbon conductor, thread type M20

US-EMLP (20X9) CUS - Plastic label

0830085

<https://www.phoenixcontact.com/gb/products/0830085>



Plastic label, can be ordered: by card, white, labeled according to customer specifications, mounting type: adhesive, lettering field size: 20 x 9 mm, Number of individual labels: 75

HC-STA-B10-CHWD-1TTM20-ELC-AL - Housing



1412578

<https://www.phoenixcontact.com/gb/products/1412578>

HC-B10-SP-CBK - Profile gasket

1411479

<https://www.phoenixcontact.com/gb/products/1411479>

Profile gasket for HEAVYCON EVO supporting base element type B10, conductive



HC-STA-B10-24-DL-PLBK - Housing brackets

1412886

<https://www.phoenixcontact.com/gb/products/1412886>

Double locking latch for B10 / B16 / B24 housing, HC-EVO....AL and HC-STA....AL



HC-STA-B10-CHWD-1TTM20-ELC-AL - Housing

1412578

<https://www.phoenixcontact.com/gb/products/1412578>



HC-B10-BCFD-P-BK - Protective cover

1346527

<https://www.phoenixcontact.com/gb/products/1346527>



Protective cover B10, for double locking latch, protective cover material: PC, height: 26.3 mm, seal: no

HC-STA-B10-DC-PL - Protective cover

1421101

<https://www.phoenixcontact.com/gb/products/1421101>



Protective cover, design: B10

HC-STA-B10-CHWD-1TTM20-ELC-AL - Housing

1412578

<https://www.phoenixcontact.com/gb/products/1412578>

WP-G HF IP66 M20 BK - Screw connection

3240898

<https://www.phoenixcontact.com/gb/products/3240898>



Cable gland, metric thread, IP66 protection, straight

WP-G HF IP69K M20 BK - Screw connection

3240884

<https://www.phoenixcontact.com/gb/products/3240884>



Cable gland, metric thread, IP68/69k protection, straight

HC-STA-B10-CHWD-1TTM20-ELC-AL - Housing

1412578

<https://www.phoenixcontact.com/gb/products/1412578>



WP-GA HF IP66 M20 BK - Screw connection

3240926

<https://www.phoenixcontact.com/gb/products/3240926>

Cable gland, metric thread, IP66 protection, angled



WP-GA HF IP69K M20 BK - Screw connection

3240912

<https://www.phoenixcontact.com/gb/products/3240912>

Cable gland, metric thread, IP68/69k protection, angled



HC-STA-B10-CHWD-1TTM20-ELC-AL - Housing

1412578

<https://www.phoenixcontact.com/gb/products/1412578>

WP-GR HF IP66 M20 BK - Screw connection

3240954

<https://www.phoenixcontact.com/gb/products/3240954>



Cable gland, metric thread, IP66 protection, with strain relief

WP-GR HF IP69K M20 BK - Screw connection

3240940

<https://www.phoenixcontact.com/gb/products/3240940>



Cable gland, metric thread, IP68/69k protection, with strain relief

HC-STA-B10-CHWD-1TTM20-ELC-AL - Housing

1412578

<https://www.phoenixcontact.com/gb/products/1412578>

WP-G PP HF M20 - Screw connection

3240998

<https://www.phoenixcontact.com/gb/products/3240998>



Cable gland made from PP with metric thread, IP65 protection

WP-GT PP HF M20 - Screw connection

3241012

<https://www.phoenixcontact.com/gb/products/3241012>



Cable gland made from PP with metric thread, rotatable, IP54 protection

HC-STA-B10-CHWD-1TTM20-ELC-AL - Housing



1412578

<https://www.phoenixcontact.com/gb/products/1412578>

WP-G BRASS IP40 M20 - Screw connection

3241047

<https://www.phoenixcontact.com/gb/products/3241047>



Cable gland made from brass with metric thread, IP40 protection

WP-GT BRASS M20 - Screw connection

3241033

<https://www.phoenixcontact.com/gb/products/3241033>



Cable gland made from brass with metric thread, rotatable, IP40 protection

HC-STA-B10-CHWD-1TTM20-ELC-AL - Housing

1412578

<https://www.phoenixcontact.com/gb/products/1412578>



WP-G BRASS IP65 M20 - Screw connection

3241061

<https://www.phoenixcontact.com/gb/products/3241061>



Cable gland made from brass with metric thread, IP65 protection

Phoenix Contact 2024 © - all rights reserved

<https://www.phoenixcontact.com>

PHOENIX CONTACT Ltd

Halesfield 13, Telford

Shropshire, TF7 4PG

01952 681700

info@phoenixcontact.co.uk