

# HC-EVO-D25-BWSC-PLR-BK - Housing



1411345

<https://www.phoenixcontact.com/pc/products/1411345>

Please be informed that the data shown in this PDF document is generated from our online catalog. Please find the complete data in the user documentation. Our general terms of use for downloads are valid.



Panel mounting base D25, with single locking latch, material: PA, protective cover material: PC, height: 26 mm, cable gland: none, protective cover: yes, Standard, with flat gasket

## Your advantages

- Lower costs than metal version
- Low weight
- Lower risk of condensation

## Commercial data

Item number	1411345
Packing unit	1 pc
Minimum order quantity	1 pc
Product key	BF7APN
Catalog page	Page 530 (C-2-2019)
GTIN	4046356929158
Weight per piece (including packing)	79.2 g
Weight per piece (excluding packing)	78.8 g
Customs tariff number	85389099
Country of origin	PL

# HC-EVO-D25-BWSC-PLR-BK - Housing



1411345

<https://www.phoenixcontact.com/pc/products/1411345>

## Technical data

### Notes

General	For contact inserts HC-D25, A16
---------	---------------------------------

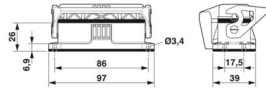
### Product properties

Product type	Housing with locking latch
Housing type	Panel mounting base
Product family	HC-EVO-D
Application	Standard
Type	D25
Protective cover	yes
Pg screw connection	none

### Data management status

Article revision	02
------------------	----

### Dimensions

Dimensional drawing	
Width	39 mm
Height	26 mm
Length	97 mm
Drill hole distance, horizontal	86 mm
Drill hole distance, vertical	17.5 mm
Hole diameter	3.3 mm

### Installation dimensions

Width of the assembly cutout	24 mm
Length of the assembly cutout	74 mm

### Material specifications

Flammability rating according to UL 94	V0 (Housing)
	V0 (Interlock)
	V0 (Protective cover)
Seal material	NBR
Housing material	PA
Material, protective cover	PC
Locking latch material	PA

### Mechanical properties

#### Mechanical data

# HC-EVO-D25-BWSC-PLR-BK - Housing



1411345

<https://www.phoenixcontact.com/pc/products/1411345>

Locking type	Latch
--------------	-------

## Connection data

Tightening torque	0.5 Nm ... 0.8 Nm (For M3 mounting screws on the panel-mount base)
-------------------	--

## Environmental and real-life conditions

### Ambient conditions

Degree of protection	IP66 (when plugged in or with locked protective cover)
Enclosure rating (NEMA)	12 (UL 50e)
Impact strength	IK08
Ambient temperature (operation)	-40 °C ... 125 °C

# HC-EVO-D25-BWSC-PLR-BK - Housing

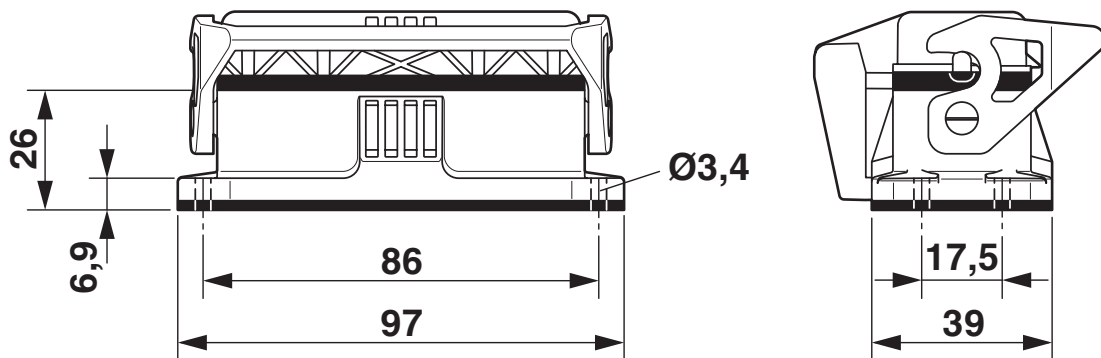


1411345

<https://www.phoenixcontact.com/pc/products/1411345>

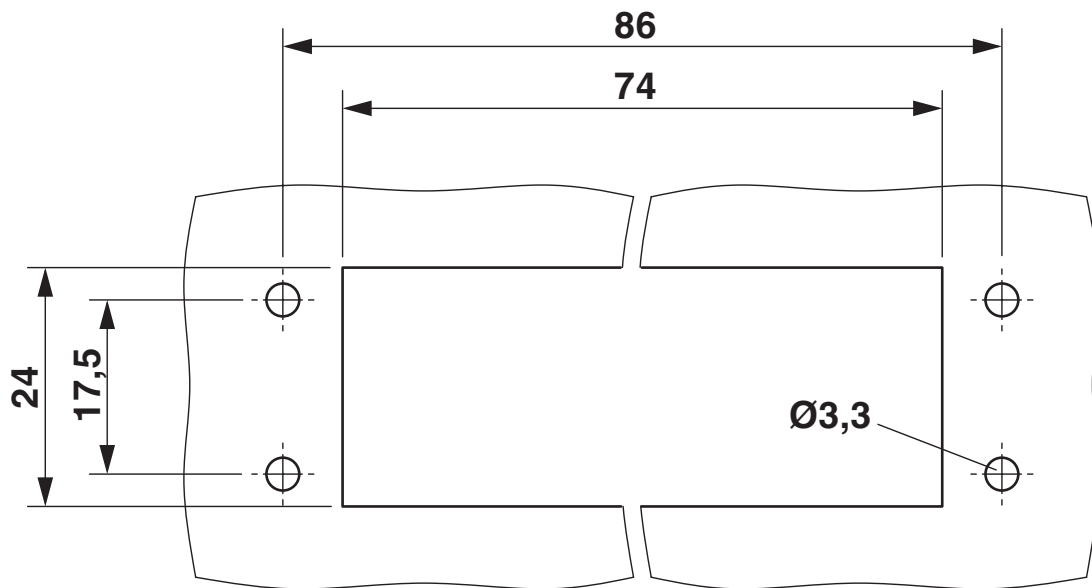
## Drawings

Dimensional drawing



Dimensional drawing

Dimensional drawing



Mounting cutout

1411345

<https://www.phoenixcontact.com/pc/products/1411345>

## Approvals

🔗 To download certificates, visit the product detail page: <https://www.phoenixcontact.com/pc/products/1411345>

**DNV**

Approval ID: TAE000037S



**EAC**

Approval ID: RU C-DE.BL08.B.00511



**cUL Recognized**

Approval ID: E255026



**UL Recognized**

Approval ID: E255026

**cULus Recognized**

1411345

<https://www.phoenixcontact.com/pc/products/1411345>

## Classifications

### ECLASS

ECLASS-11.0	27440202
ECLASS-12.0	27440202
ECLASS-13.0	27440202

### ETIM

ETIM 9.0	EC000437
----------	----------

### UNSPSC

UNSPSC 21.0	31261500
-------------	----------

1411345

<https://www.phoenixcontact.com/pc/products/1411345>

## Environmental product compliance

### EU RoHS

Fulfills EU RoHS substance requirements	Yes, No exemptions
---	--------------------

### China RoHS

Environment friendly use period (EFUP)	EFUP-E
	No hazardous substances above the limits

### EU REACH SVHC

REACH candidate substance (CAS No.)	No substance above 0.1 wt%
-------------------------------------	----------------------------

Phoenix Contact 2024 © - all rights reserved  
<https://www.phoenixcontact.com>

PHOENIX CONTACT GmbH & Co. KG  
Flachmarktstraße 8  
D-32825 Blomberg  
+49 (0) 5235-3 00  
[info@phoenixcontact.com](mailto:info@phoenixcontact.com)