

# HC-EVO-D15-SLWSC-2SSM25-PLR-BK - Housing



1411343

<https://www.phoenixcontact.com/pc/products/1411343>

Please be informed that the data shown in this PDF document is generated from our online catalog. Please find the complete data in the user documentation. Our general terms of use for downloads are valid.



Box mounting bases D15, with single locking latch, material: PA, protective cover material: PC, cable outlets: 2, lateral, 2x M25, height: 52 mm, cable gland: none, protective cover: yes, Standard

## Your advantages

- Flexible cable outlet direction, lateral or straight
- Lower costs than metal version
- Low weight
- Lower risk of condensation

## Commercial data

Item number	1411343
Packing unit	1 pc
Minimum order quantity	1 pc
Product key	BF7APN
Catalog page	Page 526 (C-2-2019)
GTIN	4046356929134
Weight per piece (including packing)	105.4 g
Weight per piece (excluding packing)	105.4 g
Customs tariff number	85389099
Country of origin	PL

# HC-EVO-D15-SLWSC-2SSM25-PLR-BK - Housing



1411343

<https://www.phoenixcontact.com/pc/products/1411343>

## Technical data

### Notes

General	For contact inserts HC-D15, A10
---------	---------------------------------

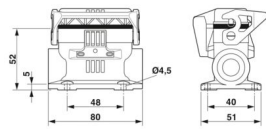
### Product properties

Product type	Housing with locking latch
Housing type	Box mounting bases
Product family	HC-EVO-D
Application	Standard
Type	D15
No. of cable outlets	2
Type of the screw connection	2x M25
Type	Low design
Protective cover	yes
Cable outlet	lateral
Pg screw connection	none

### Data management status

Article revision	03
------------------	----

### Dimensions

Dimensional drawing	
Width	51 mm
Height	52 mm
Length	80 mm
Hole diameter	4.5 mm

### Material specifications

Flammability rating according to UL 94	V0 (Housing)
	V0 (Interlock)
	V0 (Protective cover)
Housing material	PA
Material, protective cover	PC
Locking latch material	PA

### Mechanical properties

#### Mechanical data

Type of the screw connection	2x M25
Locking type	Latch

1411343

<https://www.phoenixcontact.com/pc/products/1411343>

## Connection data

Tightening torque	0.8 Nm ... 1.2 Nm (for M4 mounting screws on the surface-mount housing)
-------------------	---

## Mounting

Assembly note	One of the two openings for the screw connections is sealed but can be broken open using a screwdriver.
---------------	---

## Environmental and real-life conditions

### Ambient conditions

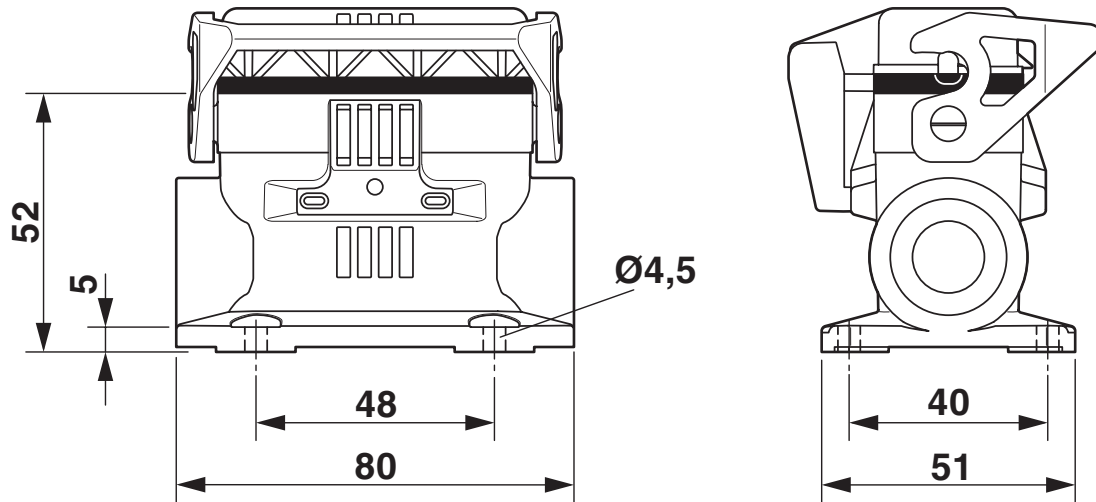
Degree of protection	IP66 (when plugged in or with locked protective cover)
Enclosure rating (NEMA)	12 (UL 50e)
Impact strength	IK08
Ambient temperature (operation)	-40 °C ... 125 °C

1411343

<https://www.phoenixcontact.com/pc/products/1411343>

## Drawings

Dimensional drawing



Dimensional drawing

1411343

<https://www.phoenixcontact.com/pc/products/1411343>

## Approvals

To download certificates, visit the product detail page: <https://www.phoenixcontact.com/pc/products/1411343>

**DNV**

Approval ID: TAE000037S



**EAC**

Approval ID: RU C-DE.BL08.B.00511



**cUL Recognized**

Approval ID: E255026



**UL Recognized**

Approval ID: E255026

**cULus Recognized**

1411343

<https://www.phoenixcontact.com/pc/products/1411343>

## Classifications

### ECLASS

ECLASS-11.0	27440202
ECLASS-12.0	27440202
ECLASS-13.0	27440202

### ETIM

ETIM 9.0	EC000437
----------	----------

### UNSPSC

UNSPSC 21.0	31261500
-------------	----------

1411343

<https://www.phoenixcontact.com/pc/products/1411343>

## Environmental product compliance

### EU RoHS

Fulfills EU RoHS substance requirements	Yes, No exemptions
---	--------------------

### China RoHS

Environment friendly use period (EFUP)	EFUP-E
	No hazardous substances above the limits

### EU REACH SVHC

REACH candidate substance (CAS No.)	No substance above 0.1 wt%
-------------------------------------	----------------------------

Phoenix Contact 2024 © - all rights reserved  
<https://www.phoenixcontact.com>

PHOENIX CONTACT GmbH & Co. KG  
Flachmarktstraße 8  
D-32825 Blomberg  
+49 (0) 5235-3 00  
[info@phoenixcontact.com](mailto:info@phoenixcontact.com)