

HC-K-BS-M32-BK - Filler plug

1410754

<https://www.phoenixcontact.com/us/products/1410754>

Please be informed that the data shown in this PDF document is generated from our online catalog. Please find the complete data in the user documentation. Our general terms of use for downloads are valid.

Filler plug, plastic, size: M32



Commercial data

Item number	1410754
Packing unit	1 pc
Note	Made to order (non-returnable)
Sales key	BF68
Product key	BF7DZX
Catalog page	Page 219 (NTK-2014)
GTIN	4046356873208
Weight per piece (including packing)	8.02 g
Weight per piece (excluding packing)	7.98 g
Customs tariff number	39269097
Country of origin	DE

HC-K-BS-M32-BK - Filler plug

1410754

<https://www.phoenixcontact.com/us/products/1410754>

Technical data

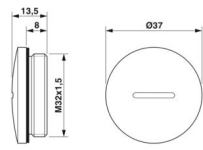
Product properties

Product type	Plug for cable screw gland
Type of the screw connection	M32

Connection data

Tightening torque	3 Nm
-------------------	------

Dimensions

Dimensional drawing	
Thread type connection side	M32

Material specifications

Material	Polyamide fiberglass reinforced
Flammability rating according to UL 94	HB
Seal material	CR

Mechanical properties

Mechanical data

Type of the screw connection	M32
------------------------------	-----

Environmental and real-life conditions

Ambient conditions

Degree of protection	IP65
	IP66 (Tightening torque 3.0 Nm)
Ambient temperature (operation)	-30 °C ... 100 °C

HC-K-BS-M32-BK - Filler plug

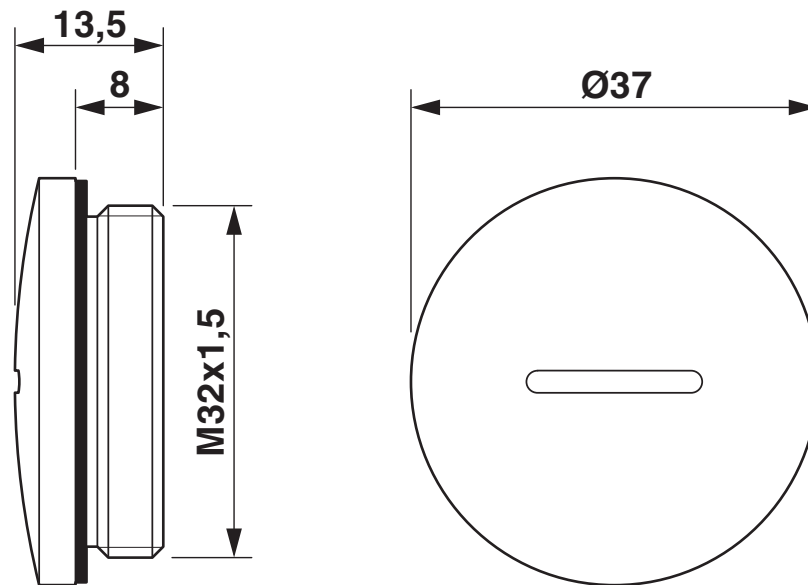
1410754

<https://www.phoenixcontact.com/us/products/1410754>



Drawings

Dimensional drawing



Dimensional drawing

HC-K-BS-M32-BK - Filler plug



1410754

<https://www.phoenixcontact.com/us/products/1410754>

Classifications

ECLASS

ECLASS-13.0

27140801

UNSPSC

UNSPSC 21.0

39121311

HC-K-BS-M32-BK - Filler plug



1410754

<https://www.phoenixcontact.com/us/products/1410754>

Environmental product compliance

EU RoHS

Fulfills EU RoHS substance requirements	Yes, No exemptions
---	--------------------

China RoHS

Environment friendly use period (EFUP)	EFUP-E
	No hazardous substances above the limits

EU REACH SVHC

REACH candidate substance (CAS No.)	No substance above 0.1 wt%
-------------------------------------	----------------------------

Phoenix Contact 2024 © - all rights reserved
<https://www.phoenixcontact.com>

Phoenix Contact USA
586 Fulling Mill Road
Middletown, PA 17057, United States
(+717) 944-1300
info@phoenixcon.com