

QPD C 4PE6,0 2X12-20 BK - Conductor connectors



1410412

<https://www.phoenixcontact.com/no/products/1410412>

Please be informed that the data shown in this PDF document is generated from our online catalog. Please find the complete data in the user documentation. Our general terms of use for downloads are valid.



QUICKON cable connector, black, 4+PE-pos., 2.5 mm² ... 6.0 mm²/690 V/40 A, for cable diameter of 12 mm ... 20 mm.

Your advantages

- Innovative and time saving - QUICKON fast connection for time saving of up to 80 % for on-site connection
- Robust throughout: housing with IP68/IP69K and IK07 protection for a wide range of applications
- Safer connection with mechanical coding to protect against mismatching, and touch-proof protection in accordance with DIN EN 0105
- Easy and safe - with the cable connector, you can repair or extend cables quickly, in combination with the connector as well as the coupling connection

Commercial data

Item number	1410412
Packing unit	1 pc
Minimum order quantity	1 pc
Sales key	31BBF
Product key	BF6CCC
Catalog page	Page 491 (C-2-2019)
GTIN	4046356929523
Weight per piece (including packing)	124.5 g
Weight per piece (excluding packing)	124.5 g
Customs tariff number	85366990
Country of origin	PL

QPD C 4PE6,0 2X12-20 BK - Conductor connectors



1410412

<https://www.phoenixcontact.com/no/products/1410412>

Technical data

Mounting

Wrench size	30 mm
-------------	-------

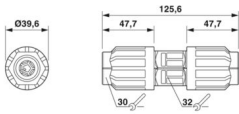
Product properties

Type	QPD 5x6,0
Product type	Cable connector
Product family	QPD
Number of positions	5
Connection profile	4+PE
Position marking	1, 2, 3, N, PE
Number of connections per position	1
Coding	Coding profile

Insulation characteristics

Overvoltage category	III
Degree of pollution	3

Dimensions

Dimensional drawing	
Width	39.6 mm
Height	39.6 mm
Length	125.6 mm
Diameter	39.6 mm
Wrench size for mounting	30 mm

Connection data

Connection technology

Frequency of connections between conductors of the same cross section	max. 10
---	---------

Conductor connection

Tightening torque	15 Nm
Tightening torque Union nut	15 Nm
Wrench size Union nut	30 mm

Electrical properties

Rated surge voltage (II/2)	8 kV
Rated surge voltage (III/2)	8 kV

QPD C 4PE6,0 2X12-20 BK - Conductor connectors



1410412

<https://www.phoenixcontact.com/no/products/1410412>

Rated surge voltage (III/3)	6 kV
Rated current	40 A
Contact resistance	< 3 mΩ
rated voltage (II/2)	1000 V
rated voltage (III/2)	1000 V
Rated voltage (III/3)	690 V
Nominal voltage U_N	690 V AC
	690 V DC
Nominal current I_N	40 A

Mechanical properties

Mechanical data

Insertion/withdrawal cycles	max. 50 (QUICKON connections max. 10)
-----------------------------	---------------------------------------

Material specifications

Color	black (RAL 9005)
Material Housing	PA
Material Contact	Cu
Material Contact surface	Silver-plated
Flammability rating according to UL 94	V0
Material wire insulation	PVC / PE / rubber / TPE

Cable/line

Structure of individual litz in acc. with VDE 0295 / smallest wire diameter	VDE 0295 class 1 to 6/min. 0.15 mm
External cable diameter ()	12 mm ... 20 mm
Wire diameter including insulation	2.95 mm ... 5 mm
Position marking	1, 2, 3, N, PE
Material wire insulation	PVC/PE/TPE/rubber

Environmental and real-life conditions

Ambient conditions

Degree of protection	IP66
	IP68 (2 m / 24 h)
	IP69K
Ambient temperature (operation)	-40 °C ... 100 °C
Temperature when conductor connected	-5 °C ... 50 °C
Ambient temperature (storage/transport)	-40 °C ... 100 °C

QPD C 4PE6,0 2X12-20 BK - Conductor connectors

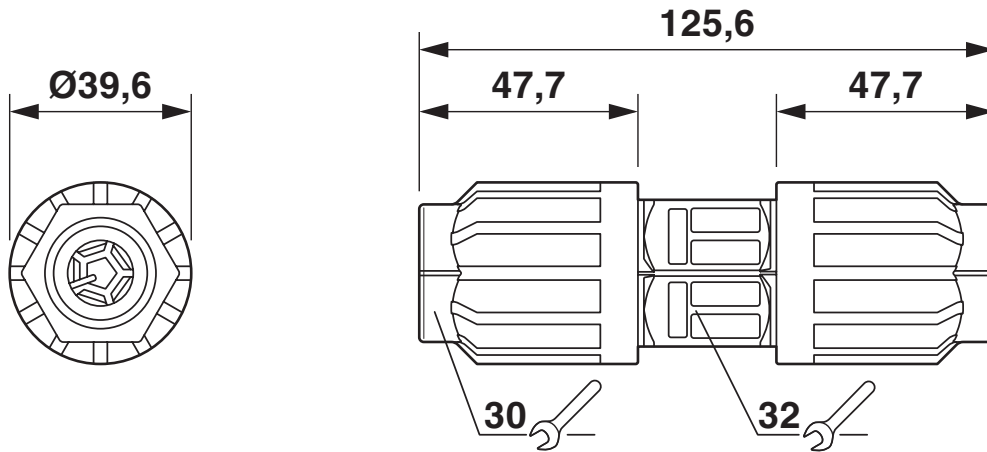


1410412

<https://www.phoenixcontact.com/no/products/1410412>

Drawings

Dimensional drawing



Dimensional drawing of QPD C 5x6,0

QPD C 4PE6,0 2X12-20 BK - Conductor connectors



1410412

<https://www.phoenixcontact.com/no/products/1410412>

Approvals

To download certificates, visit the product detail page: <https://www.phoenixcontact.com/no/products/1410412>



IECEE CB Scheme
Approval ID: DE1-65875



EAC
Approval ID: RU C-DE.BL08.B.00511



DNV GL
Approval ID: TAE00003J5



VDE Zeichengenehmigung
Approval ID: 40029149



UL Listed
Approval ID: E468743

Nominal voltage U_N	Nominal current I_N	Cross section AWG	Cross section mm^2
600 V	20 A	-	- 12



cUL Listed
Approval ID: E468743

Nominal voltage U_N	Nominal current I_N	Cross section AWG	Cross section mm^2
600 V	20 A	- 12	-

cULus Listed

QPD C 4PE6,0 2X12-20 BK - Conductor connectors



1410412

<https://www.phoenixcontact.com/no/products/1410412>

Classifications

ECLASS

ECLASS-11.0	27440605
ECLASS-13.0	27440605
ECLASS-12.0	27440605

ETIM

ETIM 9.0	EC002560
----------	----------

UNSPSC

UNSPSC 21.0	39121400
-------------	----------

QPD C 4PE6,0 2X12-20 BK - Conductor connectors



1410412

<https://www.phoenixcontact.com/no/products/1410412>

Environmental product compliance

China RoHS	Environmentally friendly use period: unlimited = EFUP-e
	No hazardous substances above threshold values

Phoenix Contact 2024 © - all rights reserved
<https://www.phoenixcontact.com>

PHOENIX CONTACT AS
Strømsveien 344
N-1081 Oslo
+47 22 07 68 00
norge@phoenixcontact.com