

# SAC-HZ-5P-10,0-542/M12FS BK - Sensor/actuator cable



1409635

<https://www.phoenixcontact.com/us/products/1409635>

Please be informed that the data shown in this PDF document is generated from our online catalog. Please find the complete data in the user documentation. Our general terms of use for downloads are valid.

Sensor/actuator cable, 5-position, PVC, yellow, free cable end, on Socket straight M12, coding: A, cable length: 10 m



## Commercial data

Item number	1409635
Packing unit	1 pc
Minimum order quantity	1 pc
Note	Made to order (non-returnable)
Sales key	BF13
Product key	BF1IGC
GTIN	4055626018683
Weight per piece (including packing)	452 g
Weight per piece (excluding packing)	452 g
Customs tariff number	85444290
Country of origin	US

# SAC-HZ-5P-10,0-542/M12FS BK - Sensor/actuator cable



1409635

<https://www.phoenixcontact.com/us/products/1409635>

## Technical data

### Notes

General	These cable assemblies are UL/cUL listed for use in Class I, Division 2 (CID2) hazardous locations.
---------	---

### Product properties

Product type	Sensor/actuator cable
Application	U.S. cables for hazardous locations
Number of positions	5
No. of cable outlets	1
Shielded	no
Coding	A

### Insulation characteristics

Overvoltage category	II
Degree of pollution	3

### Material specifications

Flammability rating according to UL 94	HB
Material of grip body	TPU, hardly inflammable, self-extinguishing
Contact material	CuSn
Contact surface material	Ni/Au
Contact carrier material	TPU GF
Material for screw connection	Zinc die-cast, nickel-plated
Outer sheath, material	PVC

### Electrical properties

Insulation resistance	$\geq 100 \text{ M}\Omega$
Nominal voltage $U_N$	48 V AC 60 V DC
Nominal current $I_N$	4 A

### Signaling

Status display	no
Status display present	No

### Connection data

#### Conductor connection

Tightening torque	0.4 Nm (M12 connector)
-------------------	------------------------

### Connector

#### Connection 1

Type	free cable end
------	----------------

# SAC-HZ-5P-10,0-542/M12FS BK - Sensor/actuator cable



1409635

<https://www.phoenixcontact.com/us/products/1409635>


## Connection 2

Type	Socket straight M12
Number of positions	5
Coding type	A

## Cable/line

Cable length	10 m
--------------	------

## PVC yellow 105 °C [542]

Dimensional drawing	
Cable weight	43 kg/km
UL AWM Style	2517 (105 °C / 300 V)
Number of positions	5
Shielded	no
Cable type	PVC yellow 105 °C [542]
Conductor structure signal line	30x 1.30 mm
AWG signal line	22
Wire diameter incl. insulation	1.27 mm ±0.03 mm
External cable diameter	5.40 mm ±0.2 mm
Outer sheath, material	PVC
External sheath, color	yellow
Conductor material	Tin-plated Cu litz wires
Material, filler	PP
Material wire insulation	PVC
Single wire, color	brown, blue, black, white, gray
Overall twist	5 wires around filler to the core
Max. conductor resistance	max. 50.5 Ω/km (20 °C)
Insulation resistance	≥ (550 M Ohms/m @ 500V)
Nominal voltage, cable	300 V
Minimum bending radius, flexible installation	8 x D
Smallest bending radius, movable installation	44 mm
Flame resistance	FT4
Other resistance	UV resistant
Special properties	UL standards PLTC and ITC
Ambient temperature (operation)	-30 °C ... 105 °C (cable, fixed installation) -5 °C ... 105 °C (Cable, flexible installation)

# SAC-HZ-5P-10,0-542/M12FS BK - Sensor/actuator cable



1409635

<https://www.phoenixcontact.com/us/products/1409635>

## Environmental and real-life conditions

### Ambient conditions

Degree of protection	IP65
	IP67
	IP68
Ambient temperature (operation)	-25 °C ... 90 °C (Plug / socket)

## Approvals

### Conformity/Approvals

UL, USA / Canada	Class I, Div. 2, Groups A, B, C, D
------------------	------------------------------------

## Standards and regulations

Standard designation	M12 connector
Standards/specifications	IEC 61076-2-101

# SAC-HZ-5P-10,0-542/M12FS BK - Sensor/actuator cable

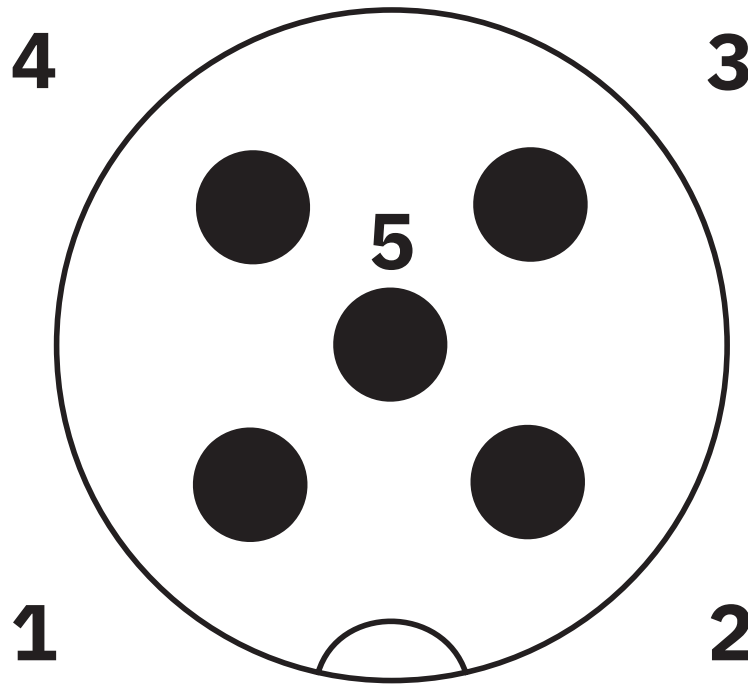


1409635

<https://www.phoenixcontact.com/us/products/1409635>

## Drawings

Schematic diagram



Pin assignment M12 male connector, 5-pos., A-coded, male side

Circuit diagram



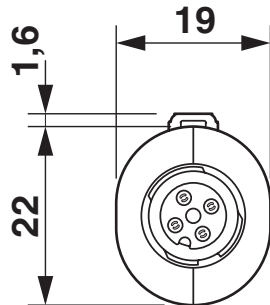
# SAC-HZ-5P-10,0-542/M12FS BK - Sensor/actuator cable



1409635

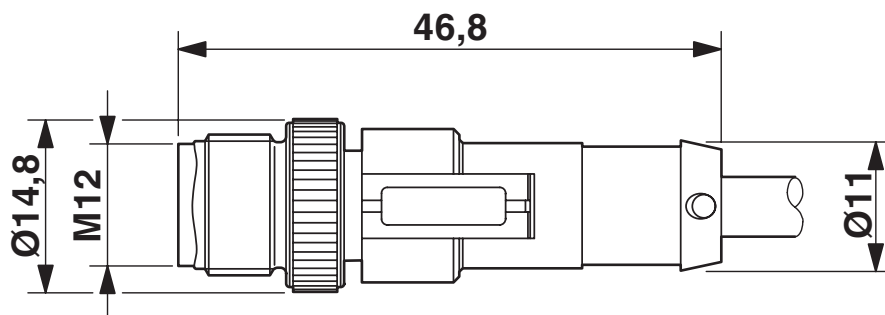
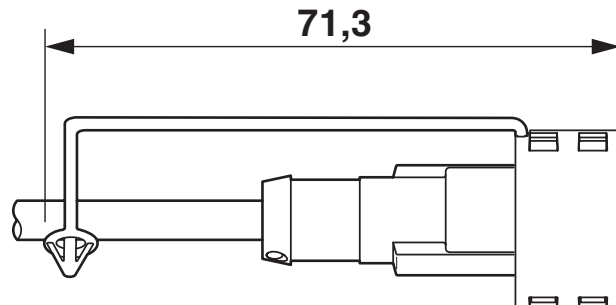
<https://www.phoenixcontact.com/us/products/1409635>

Dimensional drawing



EXCLIP mounted plug

Dimensional drawing



Plug, M12 x 1, straight, shielded

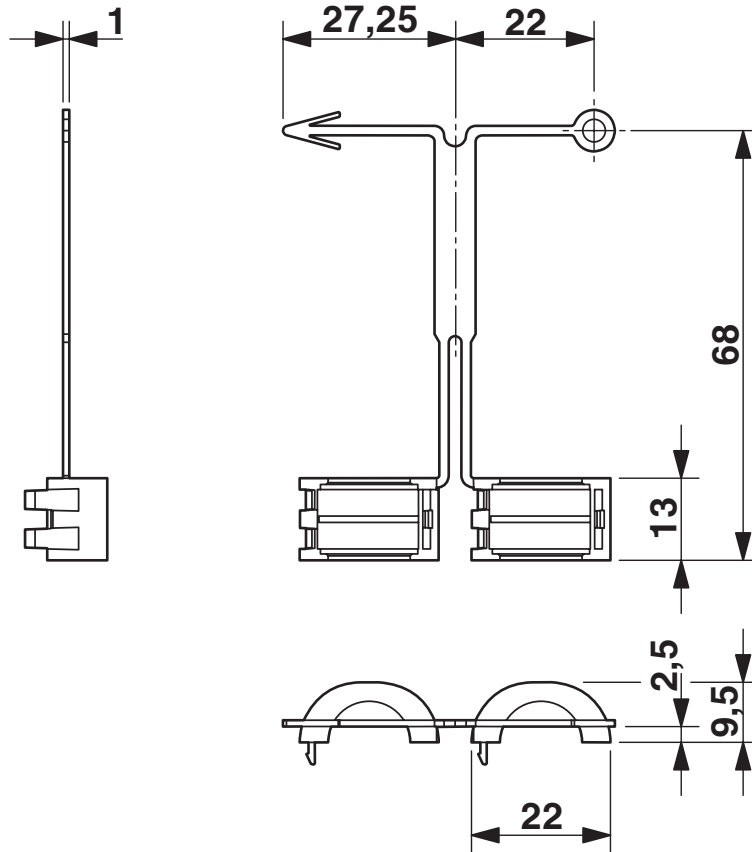
# SAC-HZ-5P-10,0-542/M12FS BK - Sensor/actuator cable



1409635

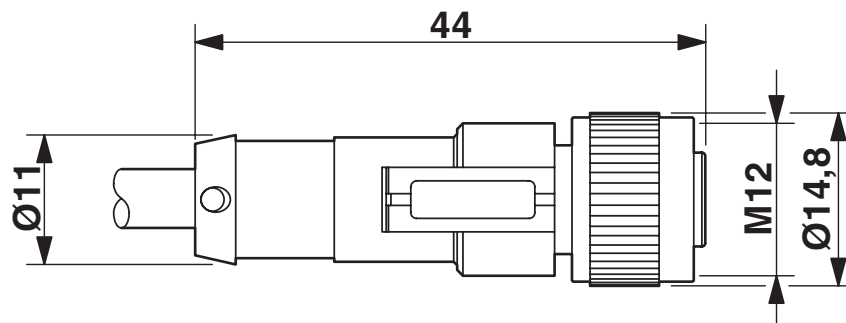
<https://www.phoenixcontact.com/us/products/1409635>

Dimensional drawing



EXCLIP socket

Dimensional drawing



M12 x 1 socket, straight

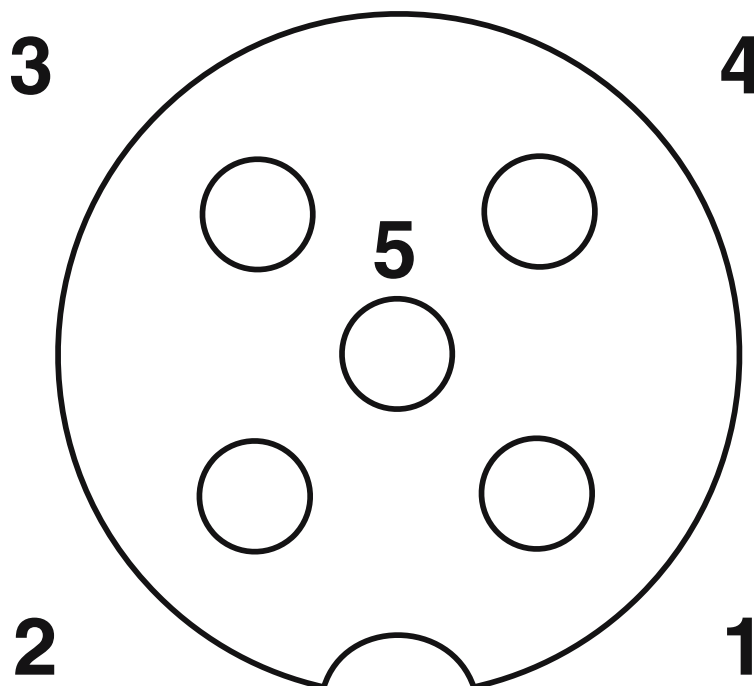
# SAC-HZ-5P-10,0-542/M12FS BK - Sensor/actuator cable



1409635

<https://www.phoenixcontact.com/us/products/1409635>

Schematic diagram



Pin assignment M12 socket, 5-pos., B-coded, female side



# SAC-HZ-5P-10,0-542/M12FS BK - Sensor/actuator cable





1409635

<https://www.phoenixcontact.com/us/products/1409635>

## Approvals

To download certificates, visit the product detail page: <https://www.phoenixcontact.com/us/products/1409635>

 <b>cUL Listed</b> Approval ID: FILE E 359524				
	Nominal voltage $U_N$	Nominal current $I_N$	Cross section AWG	Cross section $\text{mm}^2$
Use group keine				
	150 V	4 A	-	-

 <b>UL Listed</b> Approval ID: FILE E 359524				
	Nominal voltage $U_N$	Nominal current $I_N$	Cross section AWG	Cross section $\text{mm}^2$
Use group keine				
	150 V	4 A	-	-

<b>cULus Listed</b>				
---------------------	--	--	--	--

# SAC-HZ-5P-10,0-542/M12FS BK - Sensor/actuator cable



1409635

<https://www.phoenixcontact.com/us/products/1409635>

## Classifications

### ECLASS

ECLASS-11.0	27060311
ECLASS-12.0	27060311
ECLASS-13.0	27060311

### ETIM

ETIM 9.0	EC001855
----------	----------

### UNSPSC

UNSPSC 21.0	26121600
-------------	----------

# SAC-HZ-5P-10,0-542/M12FS BK - Sensor/actuator cable



1409635

<https://www.phoenixcontact.com/us/products/1409635>

## Environmental product compliance

### EU RoHS

Fulfills EU RoHS substance requirements	Yes, No exemptions
---	--------------------

### China RoHS

Environment friendly use period (EFUP)	EFUP-50
	An article-related China RoHS declaration table can be found in the download area for the respective article under "Manufacturer declaration". For all articles with EFUP-E, no China RoHS declaration table issued and required.

### EU REACH SVHC

REACH candidate substance (CAS No.)	No substance above 0.1 wt%
-------------------------------------	----------------------------

Phoenix Contact 2024 © - all rights reserved

<https://www.phoenixcontact.com>

Phoenix Contact USA  
586 Fulling Mill Road  
Middletown, PA 17057, United States  
(+717) 944-1300  
[info@phoenixcon.com](mailto:info@phoenixcon.com)