

HC-EVO-B10-CHWD-PLRBK - Housing



1407641

<https://www.phoenixcontact.com/pc/products/1407641>

Please be informed that the data shown in this PDF document is generated from our online catalog. Please find the complete data in the user documentation. Our general terms of use for downloads are valid.



Coupling housings B10, with double locking latch, material: PA, cable outlets: 1, straight/lateral, height: 90 mm, cable gland: none, Standard

Your advantages

- Flexible cable outlet direction, lateral or straight
- Lower costs than metal version
- Low weight
- Lower risk of condensation

Commercial data

Item number	1407641
Packing unit	1 pc
Minimum order quantity	1 pc
Product key	BF7APL
Catalog page	Page 608 (C-2-2019)
GTIN	4046356777056
Weight per piece (including packing)	120.8 g
Weight per piece (excluding packing)	118.6 g
Customs tariff number	85389099
Country of origin	PL

HC-EVO-B10-CHWD-PLRBK - Housing



1407641

<https://www.phoenixcontact.com/pc/products/1407641>

Technical data

Notes

General	For contact inserts HC-B10, BB18, DD42, M, K8/24, HV03-I-PT, HC- 3-E...C
---------	--

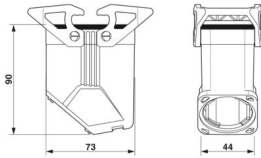
Product properties

Product type	Housing with locking latch
Housing type	Coupling housings
Product family	HC-EVO-B
Application	Standard
Type	B10
No. of cable outlets	1
Type	Tall design
Cable outlet	straight
Pg screw connection	none

Data management status

Article revision	03
------------------	----

Dimensions

Dimensional drawing	
Width	44 mm
Height	90 mm
Length	73 mm

Material specifications

Flammability rating according to UL 94	V0 (Housing)
	V0 (Interlock)
Seal material	NBR
Housing material	PA
Locking latch material	PA

Mechanical properties

Mechanical data

Locking type	Latch
--------------	-------

Mounting

Assembly note	The coupling housing must be supplemented with the EVO screw connection. The EVO screw connection is available in four sizes.
---------------	---

HC-EVO-B10-CHWD-PLRBK - Housing



1407641

<https://www.phoenixcontact.com/pc/products/1407641>

The EVO screw connection is mounted with the aid of a pipe wrench, for example.

Environmental and real-life conditions

Ambient conditions

Degree of protection	IP66
Enclosure rating (NEMA)	12 (UL 50e)
Impact strength	IK09
Ambient temperature (operation)	-40 °C ... 125 °C

HC-EVO-B10-CHWD-PLRBK - Housing

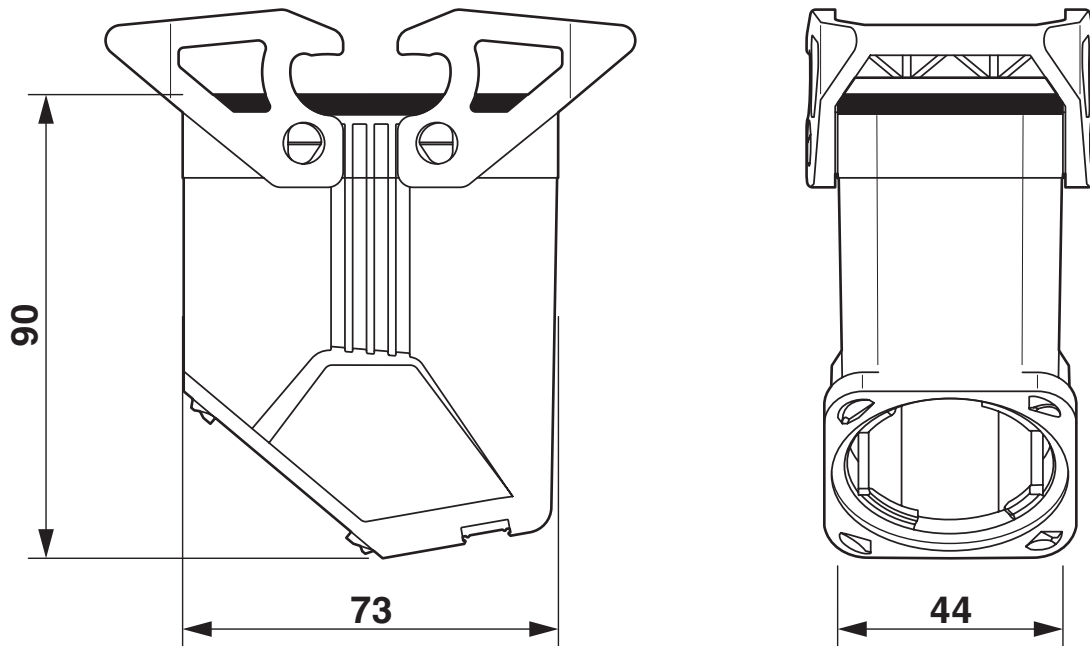


1407641

<https://www.phoenixcontact.com/pc/products/1407641>

Drawings

Dimensional drawing



Dimensional drawing

1407641

<https://www.phoenixcontact.com/pc/products/1407641>

Approvals

To download certificates, visit the product detail page: <https://www.phoenixcontact.com/pc/products/1407641>

DNV

Approval ID: TAE000037S



cUL Recognized

Approval ID: E255026



UL Recognized

Approval ID: E255026



EAC

Approval ID: RU C-DE.AI30.B.01102



EAC

Approval ID: RU C-DE.BL08.B.00511

cULus Recognized

1407641

<https://www.phoenixcontact.com/pc/products/1407641>

Classifications

ECLASS

ECLASS-11.0	27440202
ECLASS-12.0	27440202
ECLASS-13.0	27440202

ETIM

ETIM 9.0	EC000437
----------	----------

UNSPSC

UNSPSC 21.0	31261500
-------------	----------

1407641

<https://www.phoenixcontact.com/pc/products/1407641>

Environmental product compliance

EU RoHS

Fulfills EU RoHS substance requirements	Yes, No exemptions
---	--------------------

China RoHS

Environment friendly use period (EFUP)	EFUP-E
	No hazardous substances above the limits

EU REACH SVHC

REACH candidate substance (CAS No.)	No substance above 0.1 wt%
-------------------------------------	----------------------------

Phoenix Contact 2024 © - all rights reserved
<https://www.phoenixcontact.com>

PHOENIX CONTACT GmbH & Co. KG
Flachmarktstraße 8
D-32825 Blomberg
+49 (0) 5235-3 00
info@phoenixcontact.com