

# HC-EVO-B10-SHWSC-2SSM32-PLRBK - Housing



1407637

<https://www.phoenixcontact.com/us/products/1407637>

Please be informed that the data shown in this PDF document is generated from our online catalog. Please find the complete data in the user documentation. Our general terms of use for downloads are valid.



Box mounting bases B10, with single locking latch, material: PA, protective cover material: PC, cable outlets: 2, lateral, 2x M32, height: 74 mm, cable gland: none, protective cover: yes, Standard

## Product description

One screw connection opening is closed, however can be opened using a screwdriver

## Your advantages

- Lower costs than metal version
- Low weight
- Lower risk of condensation

## Commercial data

Item number	1407637
Packing unit	1 pc
Minimum order quantity	1 pc
Sales key	BF57
Product key	BF7APL
Catalog page	Page 604 (C-2-2019)
GTIN	4046356776998
Weight per piece (including packing)	178.4 g
Weight per piece (excluding packing)	177.8 g
Customs tariff number	85389099
Country of origin	PL

1407637

<https://www.phoenixcontact.com/us/products/1407637>

## Technical data

### Notes

General	For contact inserts HC-B10, BB18, DD42, M, K8/24, HV03-I-PT, HC- 3-E...C
---------	--------------------------------------------------------------------------

### Product properties

Product type	Housing with locking latch
Housing type	Box mounting bases
Product family	HC-EVO-B
Application	Standard
Type	B10
No. of cable outlets	2
Type of the screw connection	2x M32
Type	Tall design
Protective cover	yes
Cable outlet	lateral
Pg screw connection	none

### Data management status

Article revision	04
------------------	----

### Dimensions

Dimensional drawing	
Width	57 mm
Height	74 mm
Length	93 mm
Hole diameter	5.5 mm

### Material specifications

Flammability rating according to UL 94	V0 (Housing)
	V0 (Interlock)
	V0 (Protective cover)
Seal material	NBR
Housing material	PA
Material, protective cover	PC
Locking latch material	PA

### Mechanical properties

#### Mechanical data

# HC-EVO-B10-SHWSC-2SSM32-PLRBK - Housing



1407637

<https://www.phoenixcontact.com/us/products/1407637>

Type of the screw connection	2x M32
Locking type	Latch

## Connection data

Tightening torque	2 Nm ... 3 Nm (for M5 mounting screws on the surface-mount housing)
-------------------	---------------------------------------------------------------------

## Mounting

Assembly note	One of the two openings for the screw connections is sealed but can be broken open using a screwdriver.
---------------	---------------------------------------------------------------------------------------------------------

## Environmental and real-life conditions

### Ambient conditions

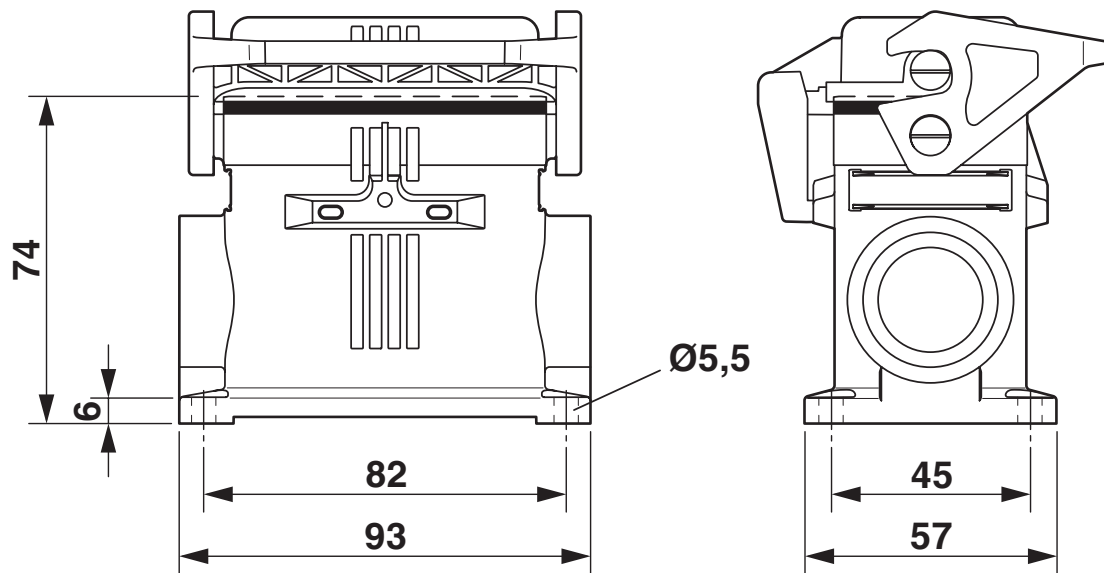
Degree of protection	IP66 (when plugged in or with locked protective cover)
Enclosure rating (NEMA)	12 (UL 50e)
Impact strength	IK08
Ambient temperature (operation)	-40 °C ... 125 °C

1407637

<https://www.phoenixcontact.com/us/products/1407637>

## Drawings

Dimensional drawing



Dimensional drawing

1407637

<https://www.phoenixcontact.com/us/products/1407637>

## Approvals

To download certificates, visit the product detail page: <https://www.phoenixcontact.com/us/products/1407637>

**DNV**

Approval ID: TAE000037S



**EAC**

Approval ID: RU C-DE.AI30.B.01102



**EAC**

Approval ID: RU C-DE.BL08.B.00511



**cUL Recognized**

Approval ID: E255026



**UL Recognized**

Approval ID: E255026

**cULus Recognized**

1407637

<https://www.phoenixcontact.com/us/products/1407637>

## Classifications

### ECLASS

ECLASS-11.0	27440202
ECLASS-12.0	27440202
ECLASS-13.0	27440202

### ETIM

ETIM 9.0	EC000437
----------	----------

### UNSPSC

UNSPSC 21.0	31261500
-------------	----------

1407637

<https://www.phoenixcontact.com/us/products/1407637>

## Environmental product compliance

### EU RoHS

Fulfills EU RoHS substance requirements	Yes, No exemptions
-----------------------------------------	--------------------

### China RoHS

Environment friendly use period (EFUP)	EFUP-E
	No hazardous substances above the limits

### EU REACH SVHC

REACH candidate substance (CAS No.)	No substance above 0.1 wt%
-------------------------------------	----------------------------

Phoenix Contact 2024 © - all rights reserved  
<https://www.phoenixcontact.com>

Phoenix Contact USA  
586 Fulling Mill Road  
Middletown, PA 17057, United States  
(+717) 944-1300  
[info@phoenixcon.com](mailto:info@phoenixcon.com)