

SACC-M 8MR-3CON-M-SW - Connector



1407583

<https://www.phoenixcontact.com/nz/products/1407583>

Please be informed that the data shown in this PDF document is generated from our online catalog. Please find the complete data in the user documentation. Our general terms of use for downloads are valid.

Connector, Universal, 3-position, Plug angled M8, coding: A, Screw connection, knurl material: Brass, nickel-plated, external cable diameter 3.5 mm ... 5 mm



Your advantages

- Safe use in the field, thanks to a high degree of protection
- Screw connection: proven connection technology for a large selection of different conductors

Commercial data

Item number	1407583
Packing unit	1 pc
Minimum order quantity	1 pc
Sales key	BF2BAA
Product key	BF2BAA
Catalog page	Page 17 (C-2-2019)
GTIN	4046356780032
Weight per piece (including packing)	13.2 g
Weight per piece (excluding packing)	13.2 g
Country of origin	DE

SACC-M 8MR-3CON-M-SW - Connector



1407583

<https://www.phoenixcontact.com/nz/products/1407583>

Technical data

Notes

General	NOTE: Observe the permissible bending radii when laying conductors, since the degree of protection may be put in jeopardy if the bending forces are too high. Alleviate mechanical loads upstream of the connector, e.g. by using cable ties.
---------	--

Mounting

Assembly instructions	The wires can be connected both with ferrules (without insulation) and without ferrules. The connector pin assignment can be rotated 180° to the cable outlet
-----------------------	--

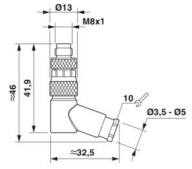
Product properties

Product type	Circular connector (cable-side)
Sensor type	Universal
Number of positions	3
No. of cable outlets	1
Shielded	no
Coding	A
Cable outlet	angled

Insulation characteristics

Overvoltage category	III
Degree of pollution	3

Dimensions

Dimensional drawing	
Width	13 mm
Height	32.5 mm
Length	46 mm

External dimensions

Outside diameter	3.5 mm ... 5 mm
------------------	-----------------

Housing

Diameter housing	13 mm
------------------	-------

Material specifications

Flammability rating according to UL 94	HB
--	----

SACC-M 8MR-3CON-M-SW - Connector



1407583

<https://www.phoenixcontact.com/nz/products/1407583>

Seal material	NBR
Material of grip body	PBT
Contact material	CuZn
Contact surface material	Au
Contact carrier material	PA
Material for screw connection	Brass, nickel-plated

Connection data

Conductor connection

Connection method	Screw connection
Connection cross section	0.14 mm ² ... 0.5 mm ² (without ferrule)
	0.14 mm ² ... 0.5 mm ² (with ferrule)
	0.14 mm ² ... 0.5 mm ² (solid)
Connection cross section AWG	26 ... 20 (without ferrule)
Stripping length of the individual wire	4 mm
Tightening torque	0.2 Nm (M8 knurl)
	0.5 Nm (Connector with coupling sleeve)
	0.3 Nm ... 0.4 Nm (Pressure screw for outer cable diameter 3 mm ... 4 mm)
	0.8 Nm ... 1 Nm (Pressure screw in the case of external cable diameter 4 mm ... 5 mm)
	0.1 Nm (Screw terminal blocks)

Electrical properties

Rated surge voltage	1.5 kV
Contact resistance	≤ 3 mΩ
Insulation resistance	≥ 100 MΩ
Nominal voltage U _N	48 V AC
	60 V DC
Nominal current I _N	4 A

Mechanical properties

Mechanical data

Insertion/withdrawal cycles	≥ 100
-----------------------------	-------

Connector

Connection 1

Head design	Plug
Head cable outlet	angled
Head thread type	M8
Coding	A

Cable/line

Signal type/category	Universal
----------------------	-----------

SACC-M 8MR-3CON-M-SW - Connector



1407583

<https://www.phoenixcontact.com/nz/products/1407583>

Stripping length of the individual wire	4 mm
---	------

Environmental and real-life conditions

Ambient conditions

Degree of protection	IP67
Ambient temperature (operation)	-40 °C ... 85 °C (Plug / socket)

Standards and regulations

M8

Standard designation	M8 connector
Standards/specifications	IEC 61076-2-104

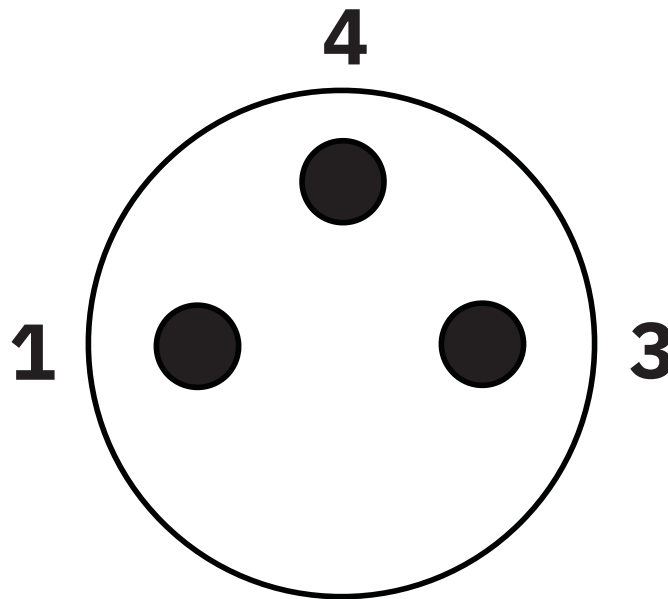
SACC-M 8MR-3CON-M-SW - Connector

1407583

<https://www.phoenixcontact.com/nz/products/1407583>

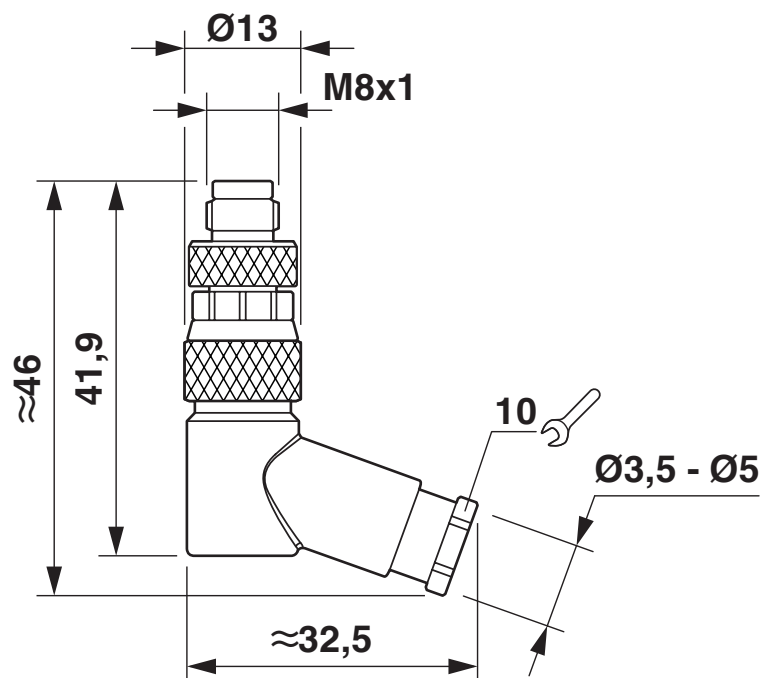
Drawings

Schematic diagram



M8 plug pin assignment, 3-pos., view of pin side

Dimensional drawing



Socket M8 x 1, angled

SACC-M 8MR-3CON-M-SW - Connector





1407583

<https://www.phoenixcontact.com/nz/products/1407583>

Approvals

To download certificates, visit the product detail page: <https://www.phoenixcontact.com/nz/products/1407583>

 UL Listed Approval ID: FILE E 221474				
	Nominal voltage U_N	Nominal current I_N	Cross section AWG	Cross section mm^2
	60 V	4 A	-	-

 cUL Listed Approval ID: FILE E 221474				
	Nominal voltage U_N	Nominal current I_N	Cross section AWG	Cross section mm^2
	60 V	4 A	-	-

cULus Listed				
---------------------	--	--	--	--

SACC-M 8MR-3CON-M-SW - Connector



1407583

<https://www.phoenixcontact.com/nz/products/1407583>

Classifications

ECLASS

ECLASS-11.0	27440102
ECLASS-12.0	27440116
ECLASS-13.0	27440116

ETIM

ETIM 9.0	EC002635
----------	----------

UNSPSC

UNSPSC 21.0	39121400
-------------	----------

SACC-M 8MR-3CON-M-SW - Connector



1407583

<https://www.phoenixcontact.com/nz/products/1407583>

Environmental product compliance

REACH SVHC	Lead 7439-92-1
China RoHS	Environmentally Friendly Use Period = 50 years
	For information on hazardous substances, refer to the manufacturer's declaration available under "Downloads"

Phoenix Contact 2024 © - all rights reserved

<https://www.phoenixcontact.com>

PHOENIX CONTACT Ltd

Unit 15C, 906-930 Great South Road, Penrose

Auckland 1061

0508 474 636

sales@phoenixcontact.co.nz