

# VS-PPC-F1-RJ45-MNNA-1R-F - Panel mounting frames



1405358

<https://www.phoenixcontact.com/pc/products/1405358>

Please be informed that the data shown in this PDF document is generated from our online catalog. Please find the complete data in the user documentation. Our general terms of use for downloads are valid.



RJ45 panel mounting frame, IP67, for push-pull interlocking, metal, with the Freenet system, for square panel cutout, with grommet, without mounting screws

## Commercial data

Item number	1405358
Packing unit	1 pc
Minimum order quantity	1 pc
Product key	ABNODA
Catalog page	Page 360 (C-2-2019)
GTIN	4046356419949
Weight per piece (including packing)	28.2 g
Weight per piece (excluding packing)	27 g
Customs tariff number	85389099
Country of origin	DE

# VS-PPC-F1-RJ45-MNNA-1R-F - Panel mounting frames



1405358

<https://www.phoenixcontact.com/pc/products/1405358>

## Technical data

### Notes

General	This product corresponds to the PROFINET Cabling and Interconnection Technology Guideline for PROFINET regulations, version 2.00, order no: 2.252, Chapter 8.2 Connectors for Outside Environment (Balanced cabling) and chapter 13 Application specific Cabling and Interconnection Technology (AIDA)
---------	--

### Product properties

Product type	Panel mounting frame
Application	Freenet
Type	RJ45
Number of positions	8
Connection profile	RJ45
Type	RJ45

### Electrical properties

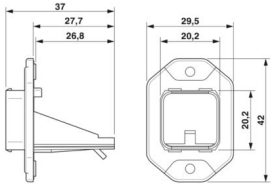
Transmission medium	Copper
---------------------	--------

### Connection data

#### Connection technology

Connection method	Push-Pull
-------------------	-----------

### Dimensions

Dimensional drawing	
Width	29.5 mm
Height	42 mm
Length	37 mm
Drill hole distance, vertical	33 mm
Hole diameter	3.2 mm

### Material specifications

Color	silver
Material	Metal
Flammability rating according to UL 94	V0
Seal material, flat gasket	NBR
Housing material	Metal
Housing surface material	nickel-plated

# VS-PPC-F1-RJ45-MNNA-1R-F - Panel mounting frames



1405358

<https://www.phoenixcontact.com/pc/products/1405358>

## Environmental and real-life conditions

### Ambient conditions

Degree of protection	IP65/IP67
Ambient temperature (operation)	-40 °C ... 70 °C

## Mounting

Mounting type	Wall mounting
---------------	---------------

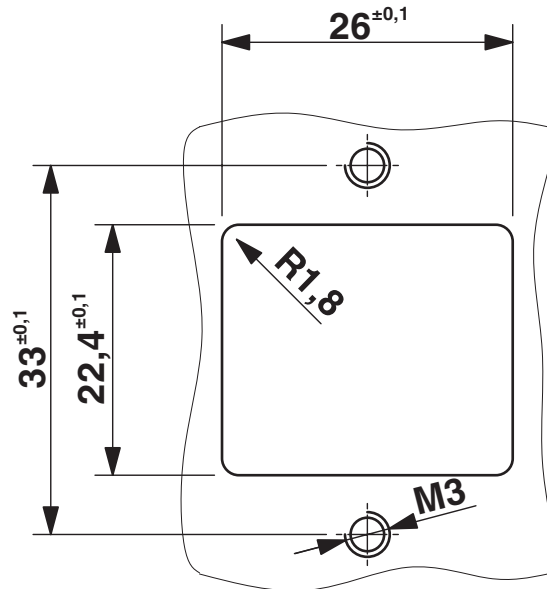
# VS-PPC-F1-RJ45-MNNA-1R-F - Panel mounting frames

1405358

<https://www.phoenixcontact.com/pc/products/1405358>

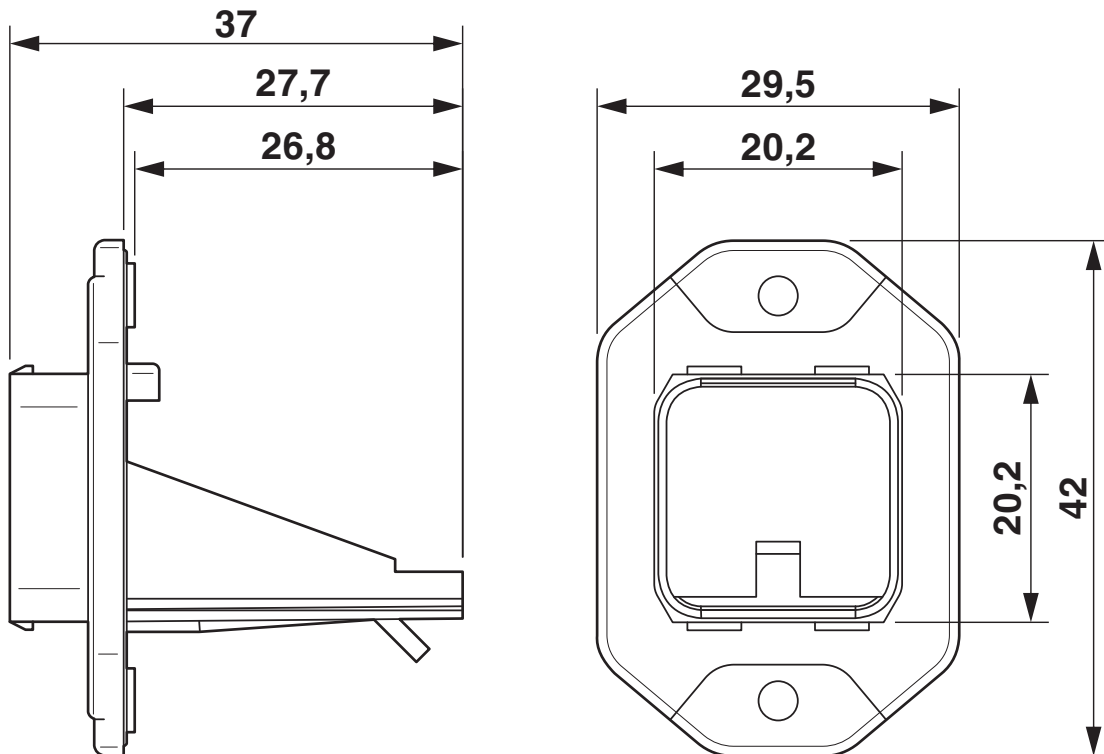
## Drawings

Dimensional drawing



Mounting cutout

Dimensional drawing



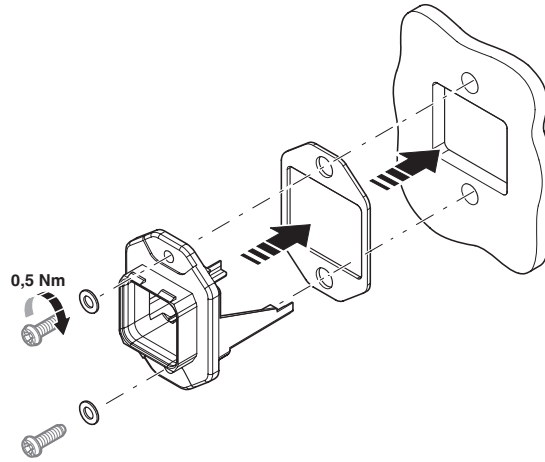
Push-Pull panel mounting frame, Freenet system, IP67

# VS-PPC-F1-RJ45-MNNA-1R-F - Panel mounting frames

1405358

<https://www.phoenixcontact.com/pc/products/1405358>

Exploded view



# VS-PPC-F1-RJ45-MNNA-1R-F - Panel mounting frames



1405358

<https://www.phoenixcontact.com/pc/products/1405358>

## Classifications

### ECLASS

ECLASS-11.0	27440210
ECLASS-12.0	27440210
ECLASS-13.0	27440210

### ETIM

ETIM 9.0	EC002310
----------	----------

### UNSPSC

UNSPSC 21.0	39121400
-------------	----------

Phoenix Contact 2024 © - all rights reserved

<https://www.phoenixcontact.com>

PHOENIX CONTACT GmbH & Co. KG

Flachmarktstraße 8

D-32825 Blomberg

+49 (0) 5235-3 00

[info@phoenixcontact.com](mailto:info@phoenixcontact.com)