

VS-PPC-F1-SCRJ-MNNA-1C-F - Panel mounting frames



1405235

<https://www.phoenixcontact.com/pc/products/1405235>

Please be informed that the data shown in this PDF document is generated from our online catalog. Please find the complete data in the user documentation. Our general terms of use for downloads are valid.



Push-pull panel mounting frame, IP67, metal, with Freenet system, for round mounting cutout, with seal and SC-RJ coupling (for POF, PCF, and GOF)

Commercial data

Item number	1405235
Packing unit	1 pc
Minimum order quantity	1 pc
Product key	ABNODF
Catalog page	Page 369 (C-2-2019)
GTIN	4046356334785
Weight per piece (including packing)	61.7 g
Weight per piece (excluding packing)	60 g
Customs tariff number	85389099
Country of origin	DE

VS-PPC-F1-SCRJ-MNNA-1C-F - Panel mounting frames



1405235

<https://www.phoenixcontact.com/pc/products/1405235>

Technical data

Notes

General	This product corresponds to the PROFINET Cabling and Interconnection Technology Guideline for PROFINET regulations, version 2.00, order no: 2.252, Chapter 8.2 Connectors for Outside Environment (Balanced cabling) and chapter 13 Application specific Cabling and Interconnection Technology (AIDA)
---------	--

Product properties

Product type	Panel mounting frame
Application	Freenet system
Type	SC-RJ
Number of positions	2
Connection profile	SC-RJ
Type	SC-RJ
Cable outlet	straight

Insulation characteristics

Degree of pollution	2
---------------------	---

Electrical properties

Transmission medium	FO
---------------------	----

Connection data

Connection technology

Connection method	Push-Pull
-------------------	-----------

Dimensions

Mechanical characteristics

Ferrule diameter	2.50 mm
------------------	---------

Material specifications

Color	silver
Material	Metal
Flammability rating according to UL 94	V0
Housing material	Metal
Housing surface material	nickel-plated

Cable/line

Resistance to oil	yes
Flame resistance	yes

FO cable

VS-PPC-F1-SCRJ-MNNA-1C-F - Panel mounting frames



1405235

<https://www.phoenixcontact.com/pc/products/1405235>

Number of fibers	2
Fiber	POF, PCF, GOF
Fiber type	GOF, PCF, POF
Transmission medium	FO

Mechanical properties

Mechanical data

Insertion/withdrawal cycles	= 100
-----------------------------	-------

Environmental and real-life conditions

Ambient conditions

Degree of protection	IP67 (IP65/67) IP65/IP67
Ambient temperature (operation)	-40 °C ... 70 °C
Ambient temperature (storage/transport)	-40 °C ... 70 °C
Ambient temperature (assembly)	0 °C ... 50 °C
Resistance to oil	yes

Standards and regulations

Flame resistance	yes
Resistance to oil	yes

Mounting

Mounting type	Wall mounting
---------------	---------------

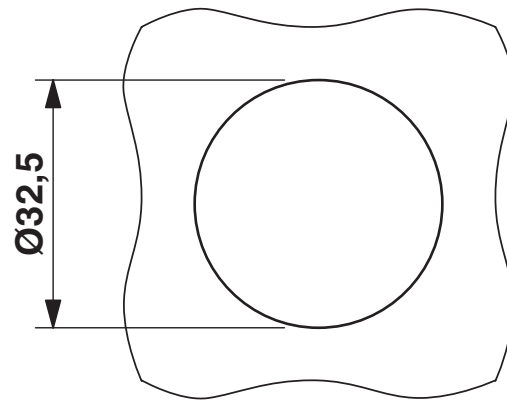
VS-PPC-F1-SCRJ-MNNA-1C-F - Panel mounting frames

1405235

<https://www.phoenixcontact.com/pc/products/1405235>

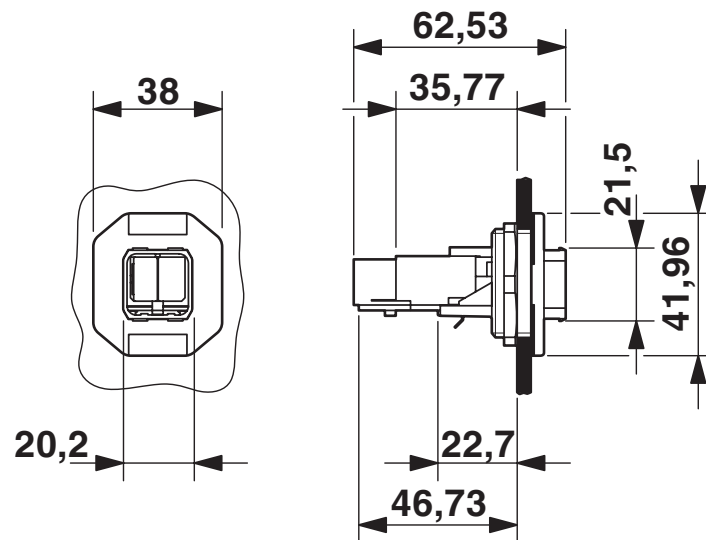
Drawings

Dimensional drawing



Mounting cutout

Dimensional drawing



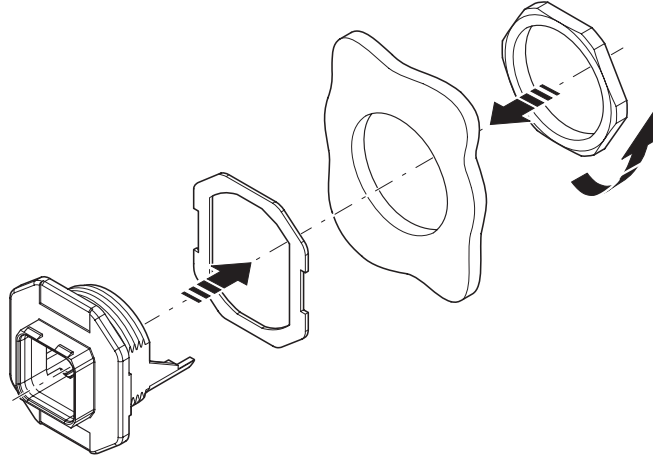
Push-Pull SC-RJ panel mounting frame

VS-PPC-F1-SCRJ-MNNA-1C-F - Panel mounting frames

1405235

<https://www.phoenixcontact.com/pc/products/1405235>

Exploded view



VS-PPC-F1-SCRJ-MNNA-1C-F - Panel mounting frames



1405235

<https://www.phoenixcontact.com/pc/products/1405235>

Classifications

ECLASS

ECLASS-11.0	27440210
ECLASS-12.0	27440210
ECLASS-13.0	27440210

ETIM

ETIM 9.0	EC002310
----------	----------

UNSPSC

UNSPSC 21.0	39121400
-------------	----------

VS-PPC-F1-SCRJ-MNNA-1C-F - Panel mounting frames



1405235

<https://www.phoenixcontact.com/pc/products/1405235>

Environmental product compliance

China RoHS	Environmentally friendly use period: unlimited = EFUP-e No hazardous substances above threshold values
------------	---

Phoenix Contact 2024 © - all rights reserved
<https://www.phoenixcontact.com>

PHOENIX CONTACT GmbH & Co. KG
Flachmarktstraße 8
D-32825 Blomberg
+49 (0) 5235-3 00
info@phoenixcontact.com