

SACC-M12MR-12SOL-PG 9-M - Connector



1404421

<https://www.phoenixcontact.com/no/products/1404421>

Please be informed that the data shown in this PDF document is generated from our online catalog. Please find the complete data in the user documentation. Our general terms of use for downloads are valid.

Connector, Universal, 12-position, Plug angled M12, coding: A, Solder connection, knurl material: Zinc die-cast, nickel-plated, cable gland Pg9, external cable diameter 6 mm ... 8 mm



Your advantages

- Safe use in the field, thanks to a high degree of protection
- Save space – with high-pos. connectors

Commercial data

Item number	1404421
Packing unit	1 pc
Minimum order quantity	1 pc
Sales key	31BBFS
Product key	BF2CGA
Catalog page	Page 26 (C-2-2019)
GTIN	4046356694537
Weight per piece (including packing)	20.72 g
Weight per piece (excluding packing)	20 g
Customs tariff number	85366990
Country of origin	DE

SACC-M12MR-12SOL-PG 9-M - Connector



1404421

<https://www.phoenixcontact.com/no/products/1404421>

Technical data

Notes

General	NOTE: Observe the permissible bending radii when laying conductors, since the degree of protection may be put in jeopardy if the bending forces are too high. Alleviate mechanical loads upstream of the connector, e.g. by using cable ties.
---------	--

Mounting

Assembly instructions	The connector pin assignment can be rotated 90° to the cable outlet
-----------------------	---

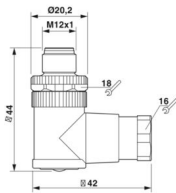
Product properties

Product type	Circular connector (cable-side)
Sensor type	Universal
Number of positions	12
No. of cable outlets	1
Shielded	no
Coding	A
Cable outlet	angled
Pg screw connection	Pg9

Insulation characteristics

Overvoltage category	II
Degree of pollution	3

Dimensions

Dimensional drawing	
Width	20.2 mm
Height	42 mm
Length	44 mm

External dimensions

Outside diameter	6 mm ... 8 mm
------------------	---------------

Housing

Diameter housing	20.2 mm
------------------	---------

Material specifications

Flammability rating according to UL 94	HB
--	----

SACC-M12MR-12SOL-PG 9-M - Connector



1404421

<https://www.phoenixcontact.com/no/products/1404421>

Seal material	NBR
Material of grip body	PA
Contact material	CuZn
Contact surface material	Au
Contact carrier material	PA
Material for screw connection	Zinc die-cast, nickel-plated

Connection data

Conductor connection

Connection method	Solder connection
Connection cross section	0.08 mm ² ... 0.25 mm ² (without ferrule) 0.08 mm ² ... 0.25 mm ² (solid)
Connection cross section AWG	28 ... 24 (without ferrule)
Stripping length of the individual wire	4 mm
Tightening torque	0.4 Nm (M12 knurl) 0.8 Nm ... 1 Nm (Pressure nut with coupling sleeve)

Electrical properties

Rated surge voltage	0.5 kV
Contact resistance	≤ 3 mΩ
Insulation resistance	> 10 GΩ
Nominal voltage U _N	30 V AC 30 V DC
Nominal current I _N	1.5 A (up to 40 °C)

Mechanical properties

Mechanical data

Insertion/withdrawal cycles	≥ 100
-----------------------------	-------

Connector

Connection 1

Head design	Plug
Head cable outlet	angled
Head thread type	M12
Coding	A

Cable/line

Signal type/category	Universal
Stripping length of the individual wire	4 mm

Environmental and real-life conditions

Ambient conditions

Degree of protection	IP67
----------------------	------

SACC-M12MR-12SOL-PG 9-M - Connector



1404421

<https://www.phoenixcontact.com/no/products/1404421>

Ambient temperature (operation)	-40 °C ... 85 °C (Plug / socket)
---------------------------------	----------------------------------

Standards and regulations

Standard designation	M12 connector
Standards/specifications	IEC 61076-2-101

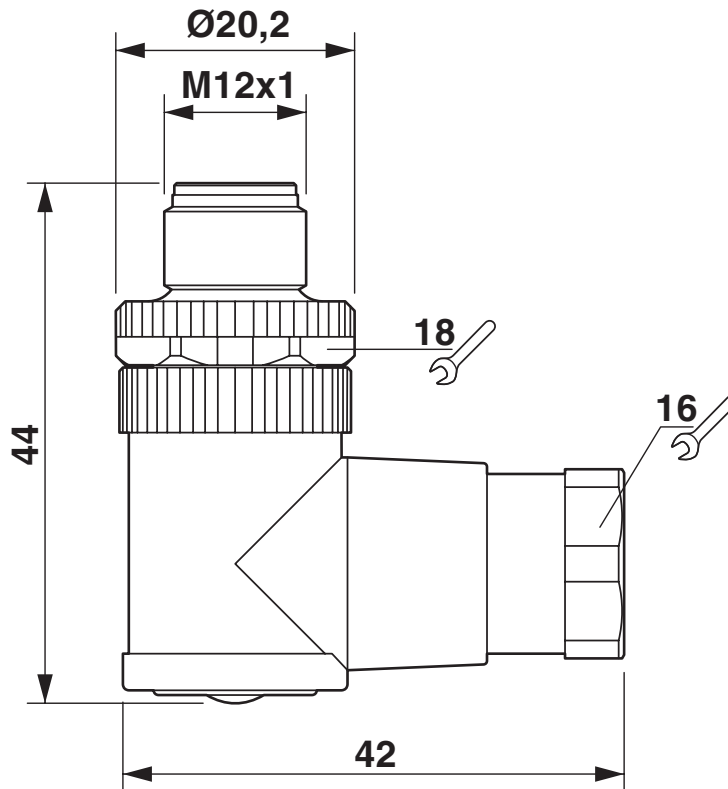
SACC-M12MR-12SOL-PG 9-M - Connector

1404421

<https://www.phoenixcontact.com/no/products/1404421>

Drawings

Dimensional drawing

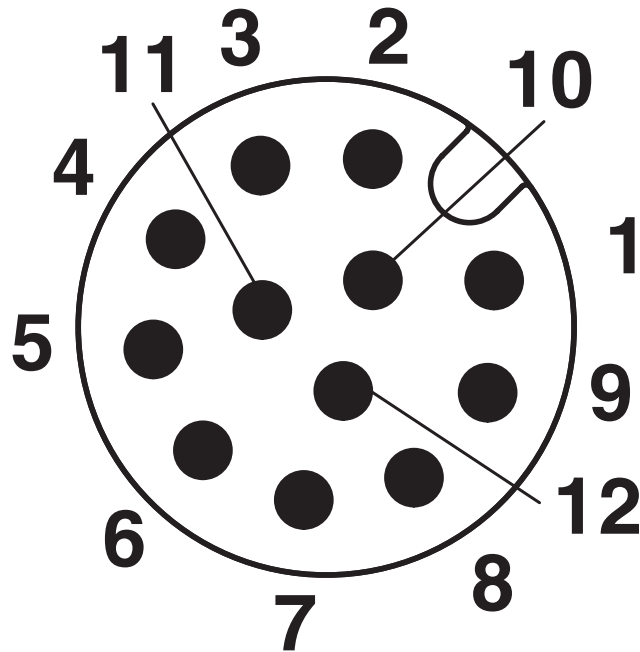


M12 x 1 male plug, angled

1404421

<https://www.phoenixcontact.com/no/products/1404421>

Schematic diagram



Pin assignment of M12 male connector, 12-pos., A-coded, view of pin side

SACC-M12MR-12SOL-PG 9-M - Connector





1404421

<https://www.phoenixcontact.com/no/products/1404421>

Approvals

To download certificates, visit the product detail page: <https://www.phoenixcontact.com/no/products/1404421>

 cUL Recognized Approval ID: FILE E 221474				
	Nominal voltage U_N	Nominal current I_N	Cross section AWG	Cross section mm^2
	30 V	1 A	-	-

 UL Recognized Approval ID: FILE E 221474				
	Nominal voltage U_N	Nominal current I_N	Cross section AWG	Cross section mm^2
	30 V	1 A	-	-

cULus Recognized				
-------------------------	--	--	--	--

SACC-M12MR-12SOL-PG 9-M - Connector



1404421

<https://www.phoenixcontact.com/no/products/1404421>

Classifications

ECLASS

ECLASS-11.0	27440102
ECLASS-12.0	27440116
ECLASS-13.0	27440116

ETIM

ETIM 9.0	EC002635
----------	----------

UNSPSC

UNSPSC 21.0	39121400
-------------	----------

SACC-M12MR-12SOL-PG 9-M - Connector



1404421

<https://www.phoenixcontact.com/no/products/1404421>

Environmental product compliance

REACH SVHC	Lead 7439-92-1
China RoHS	Environmentally Friendly Use Period = 50 years
	For information on hazardous substances, refer to the manufacturer's declaration available under "Downloads"

Phoenix Contact 2024 © - all rights reserved
<https://www.phoenixcontact.com>

PHOENIX CONTACT AS
Strømsveien 344
N-1081 Oslo
+47 22 07 68 00
norge@phoenixcontact.com