

SAC-5P-M12FS PB TR - Termination resistor



1403911

<https://www.phoenixcontact.com/us/products/1403911>

Please be informed that the data shown in this PDF document is generated from our online catalog. Please find the complete data in the user documentation. Our general terms of use for downloads are valid.

PROFIBUS M12 termination resistor, female connector version



Commercial data

Item number	1403911
Packing unit	5 pc
Minimum order quantity	1 pc
Sales key	BF10
Product key	BF1GVX
Catalog page	Page 444 (C-6-2019)
GTIN	4046356694704
Weight per piece (including packing)	12.36 g
Weight per piece (excluding packing)	12.36 g
Customs tariff number	85332100
Country of origin	DE

SAC-5P-M12FS PB TR - Termination resistor



1403911

<https://www.phoenixcontact.com/us/products/1403911>

Technical data

Product properties

Product type	Terminal resistor
Number of positions	4
Coding	B

Data management status

Article revision	02
------------------	----

Insulation characteristics

Overvoltage category	II
Degree of pollution	3

Electrical properties

Insulation resistance	$\geq 100 \text{ M}\Omega$
Nominal voltage U_N	48 V AC
	60 V DC
	2 V _{rms}
Nominal current I_N	4 A

General

Termination resistor	120 $\Omega \pm 1 \%$
----------------------	-----------------------

Signaling

Status display	no
Status display present	No

Material specifications

Flammability rating according to UL 94	HB
Seal material	NBR
Material of grip body	TPU, hardly inflammable, self-extinguishing
Contact material	CuZn
Contact surface material	Ni/Au
Contact carrier material	TPU GF
Material for screw connection	Zinc die-cast, nickel-plated

Connector

Connection 1

Type	Socket straight M12
Number of positions	4
Coding type	B

Mechanical properties

SAC-5P-M12FS PB TR - Termination resistor



1403911

<https://www.phoenixcontact.com/us/products/1403911>

Mechanical data

Insertion/withdrawal cycles	≥ 100
-----------------------------	-------

Environmental and real-life conditions

Ambient conditions

Degree of protection	IP65
	IP67
Ambient temperature (operation)	-25 °C ... 90 °C (Plug)

SAC-5P-M12FS PB TR - Termination resistor

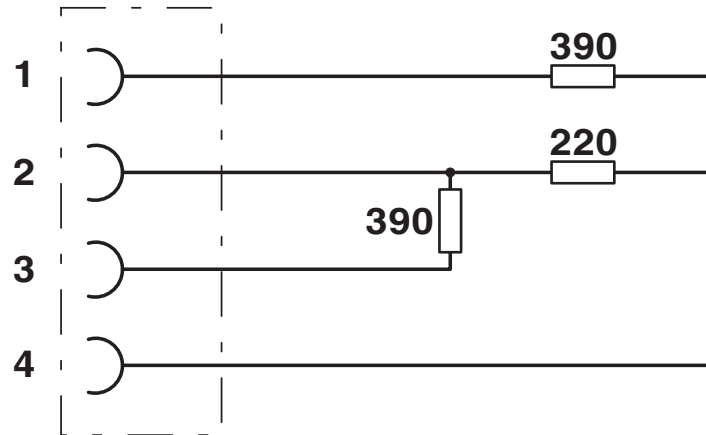


1403911

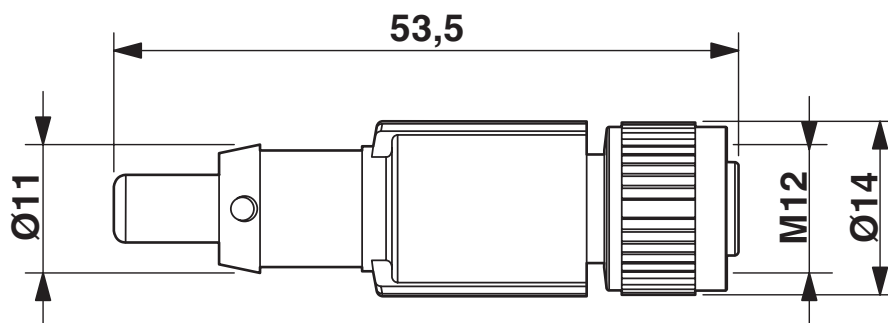
<https://www.phoenixcontact.com/us/products/1403911>

Drawings

Circuit diagram



Dimensional drawing



M12 x 1 socket, straight

SAC-5P-M12FS PB TR - Termination resistor



1403911

<https://www.phoenixcontact.com/us/products/1403911>

Classifications

ECLASS

ECLASS-11.0	19070403
ECLASS-12.0	19070403
ECLASS-13.0	19070403

ETIM

ETIM 9.0	EC000448
----------	----------

UNSPSC

UNSPSC 21.0	32121600
-------------	----------

SAC-5P-M12FS PB TR - Termination resistor



1403911

<https://www.phoenixcontact.com/us/products/1403911>

Environmental product compliance

EU RoHS

Fulfills EU RoHS substance requirements	Yes, No exemptions
---	--------------------

China RoHS

Environment friendly use period (EFUP)	EFUP-E
	No hazardous substances above the limits

EU REACH SVHC

REACH candidate substance (CAS No.)	No substance above 0.1 wt%
-------------------------------------	----------------------------

Phoenix Contact 2024 © - all rights reserved

<https://www.phoenixcontact.com>

Phoenix Contact USA
586 Fulling Mill Road
Middletown, PA 17057, United States
(+717) 944-1300
info@phoenixcon.com