

# SAC-2P-FRB/ 5,0-910 SCO - Bus system cable



1403629

<https://www.phoenixcontact.com/us/products/1403629>

Please be informed that the data shown in this PDF document is generated from our online catalog. Please find the complete data in the user documentation. Our general terms of use for downloads are valid.



Bus system cable, PROFIBUS (12 Mbps), 2-position, PUR halogen-free, red lilac RAL 4001, shielded, free cable end, on Socket angled M12 SPEEDCON, coding: B, cable length: 5 m

## Commercial data

Item number	1403629
Packing unit	1 pc
Minimum order quantity	1 pc
Sales key	BF04
Product key	BF1CKC
GTIN	4046356663502
Weight per piece (including packing)	330.5 g
Weight per piece (excluding packing)	312 g
Customs tariff number	85444290
Country of origin	PL

# SAC-2P-FRB/ 5,0-910 SCO - Bus system cable



1403629

<https://www.phoenixcontact.com/us/products/1403629>

## Technical data

### Product properties

Product type	Data cable preassembled
Application	Standard
Sensor type	PROFIBUS
Number of positions	2
No. of cable outlets	1
Shielded	yes
Coding	B

### Insulation characteristics

Overvoltage category	II
Degree of pollution	3

### Interfaces

Bus system	PROFIBUS
Signal type/category	PROFIBUS, 12 Mbps

### Signaling

Status display	No
Status display present	No

### Electrical properties

Insulation resistance	≥ 100 MΩ
Nominal voltage $U_N$	48 V AC
	60 V DC
Nominal current $I_N$	4 A
Transmission medium	Copper
Transmission characteristics (category)	CAT5

### Mechanical properties

#### Mechanical data

Insertion/withdrawal cycles	≥ 100
-----------------------------	-------

### Material specifications

Flammability rating according to UL 94	V0
Seal material	NBR
Material of grip body	TPU, hardly inflammable, self-extinguishing
Contact material	CuSn
Contact surface material	Ni/Au
Contact carrier material	PA 6.6
Material for screw connection	Zinc die-cast, nickel-plated

# SAC-2P-FRB/ 5,0-910 SCO - Bus system cable



1403629

<https://www.phoenixcontact.com/us/products/1403629>

## Connector

### Connection 1

Type	free cable end
------	----------------

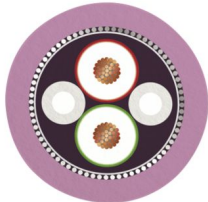
### Connection 2

Type	free cable end
------	----------------

## Cable/line

Cable length	5 m
--------------	-----

### PROFIBUS [910]

Dimensional drawing	
Cable weight	90 kg/km
UL AWM Style	21198 (80°C/300 V)
Number of positions	2
Shielded	yes
Cable type	PROFIBUS [910]
Conductor structure	1x2xAWG24/19
Conductor structure signal line	19x 0.13 mm
AWG signal line	24
Conductor cross section	2x 0.25 mm <sup>2</sup> (Signal line)
Wire diameter incl. insulation	2.55 mm ±0.07 mm
External cable diameter	7.80 mm ±0.2 mm
Outer sheath, material	PUR
External sheath, color	red lilac RAL 4001
Conductor material	Tin-plated Cu litz wires
Material, filler	PP
Material wire insulation	Foam-Skin PP
Single wire, color	red, green
Overall twist	2 cores with 2 fillers to the core
Optical shield covering	85 %
Max. conductor resistance	≤ 78.6 Ω/km
Insulation resistance	≥ 5 GΩ*km
Wave impedance	150 Ω ±10 % (3 MHz ... 20 MHz)
Cable capacity	nom. 30 pF/m
Nominal voltage, cable	300 V

# SAC-2P-FRB/ 5,0-910 SCO - Bus system cable



1403629

<https://www.phoenixcontact.com/us/products/1403629>

Test voltage Core/Core	1500 V (50 Hz, 1 min.)
Test voltage Core/Shield	1500.00 V (50 Hz, 1 min.)
Smallest bending radius, fixed installation	40 mm
Smallest bending radius, movable installation	65 mm
Max. bending cycles	4000000
	5000000
Shield attenuation	≤ 0.049 dB/m (at 16 MHz)
Halogen-free	in accordance with DIN VDE 0472 part 815
	according to IEC 60754-1
Flame resistance	UL 1581, Section 1060 and UL 2556, Section 9.3 (FT1)
	UL 1581, Section 1100 and UL 2556, Section 9.1 (HFT/FT2)
	IEC 60332-1-2
Other resistance	Low adhesion
Ambient temperature (operation)	-40 °C ... 80 °C (cable, fixed installation)
	-30 °C ... 70 °C (Cable, flexible installation)
	-20 °C ... 60 °C (for installation)
	-20 °C ... 60 °C (cable, drag chain applications)

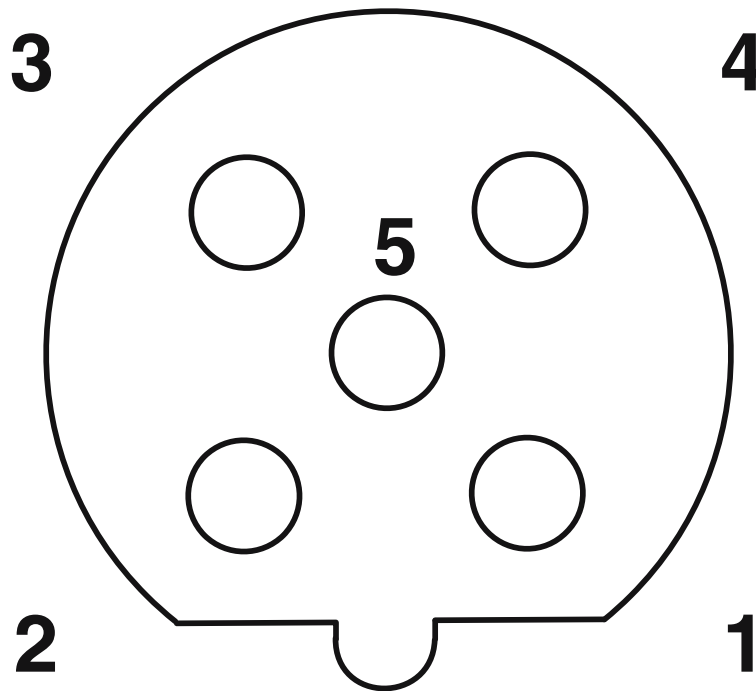
## Environmental and real-life conditions

### Ambient conditions

Degree of protection	IP65
	IP67
Ambient temperature (operation)	-25 °C ... 90 °C (Plug / socket)
	-40 °C ... 80 °C (cable, fixed installation)
	-20 °C ... 80 °C (Cable, flexible installation)

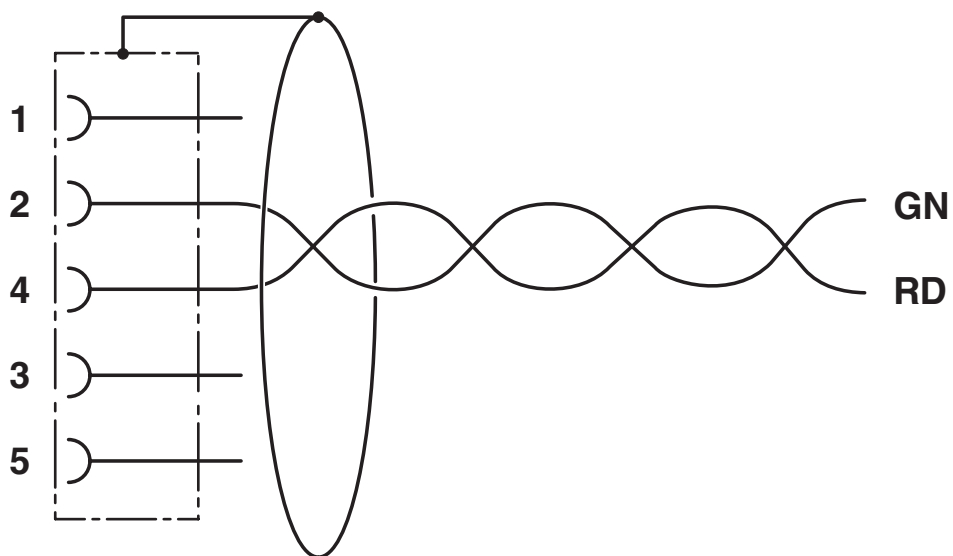
Drawings

Schematic diagram



Pin assignment M12 socket, 5-pos., B-coded, female side

Circuit diagram



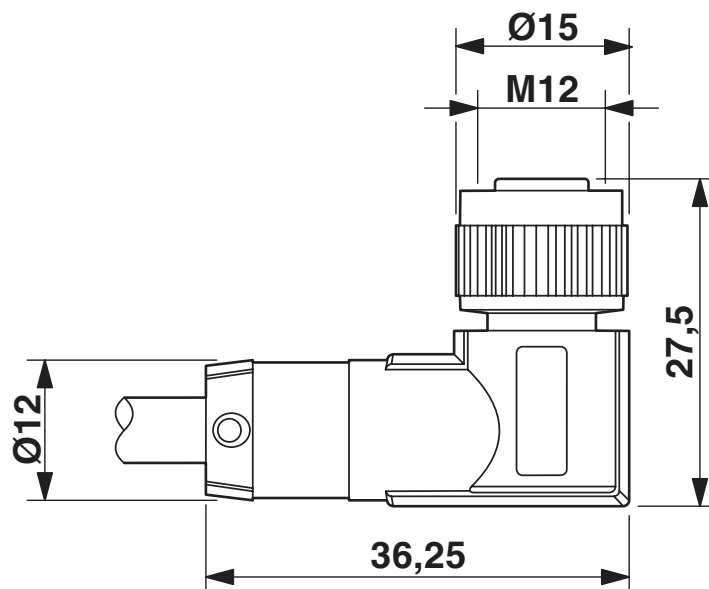
# SAC-2P-FRB/ 5,0-910 SCO - Bus system cable

1403629

<https://www.phoenixcontact.com/us/products/1403629>



Dimensional drawing



Socket M12-SPEEDCON, angled, shielded

# SAC-2P-FRB/ 5,0-910 SCO - Bus system cable



1403629

<https://www.phoenixcontact.com/us/products/1403629>

## Approvals

To download certificates, visit the product detail page: <https://www.phoenixcontact.com/us/products/1403629>



**EAC-RoHS**

Approval ID: RU D-DE.HB35.B.00387

# SAC-2P-FRB/ 5,0-910 SCO - Bus system cable



1403629

<https://www.phoenixcontact.com/us/products/1403629>

## Classifications

### ECLASS

ECLASS-11.0	27060307
ECLASS-12.0	27060307
ECLASS-13.0	27060307

### ETIM

ETIM 9.0	EC001855
----------	----------

### UNSPSC

UNSPSC 21.0	26121600
-------------	----------



# SAC-2P-FRB/ 5,0-910 SCO - Bus system cable



1403629

<https://www.phoenixcontact.com/us/products/1403629>

## Environmental product compliance

### EU RoHS

Fulfills EU RoHS substance requirements	Yes, No exemptions
---	--------------------

### China RoHS

Environment friendly use period (EFUP)	EFUP-E
	No hazardous substances above the limits

### EU REACH SVHC

REACH candidate substance (CAS No.)	No substance above 0.1 wt%
-------------------------------------	----------------------------

Phoenix Contact 2024 © - all rights reserved  
<https://www.phoenixcontact.com>

Phoenix Contact USA  
586 Fulling Mill Road  
Middletown, PA 17057, United States  
(+717) 944-1300  
[info@phoenixcon.com](mailto:info@phoenixcon.com)