

# SACC-M12FSB-5CON-PG9 SH XL PB - Data connector



1401097

<https://www.phoenixcontact.com/nz/products/1401097>

Please be informed that the data shown in this PDF document is generated from our online catalog. Please find the complete data in the user documentation. Our general terms of use for downloads are valid.



Data connector, PROFIBUS, INTERBUS, 5-position, shielded, Socket straight M12, coding: B, Screw connection, knurl material: Zinc die-cast, nickel-plated, cable gland Pg11, external cable diameter 8 mm ... 10 mm

## Your advantages

- Safe use in the field, thanks to a high degree of protection
- Screw connection: proven connection technology for a large selection of different conductors
- Reliable signal transmission – 360° shielding in environments with electromagnetic interference

## Commercial data

Item number	1401097
Packing unit	1 pc
Minimum order quantity	1 pc
Sales key	BF2CBA
Product key	BF2CBA
GTIN	4046356523356
Weight per piece (including packing)	57.64 g
Weight per piece (excluding packing)	57.64 g
Country of origin	DE

# SACC-M12FSB-5CON-PG9 SH XL PB - Data connector



1401097

<https://www.phoenixcontact.com/nz/products/1401097>

## Technical data

### Notes

General	<b>NOTE:</b> Observe the permissible bending radii when laying conductors, since the degree of protection may be put in jeopardy if the bending forces are too high. Alleviate mechanical loads upstream of the connector, e.g. by using cable ties.
---------	--

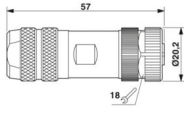
### Product properties

Product type	Circular connector (cable-side)
Sensor type	PROFIBUS
Number of positions	5
Application	Data
No. of cable outlets	1
Shielded	yes
Coding	B
Cable outlet	straight
Pg screw connection	Pg11

### Insulation characteristics

Overvoltage category	II
Degree of pollution	3

### Dimensions

Dimensional drawing	
Width	20.2 mm
Height	20.2 mm
Length	57 mm
Wrench size, union nut	16 mm

### External dimensions

Outside diameter	8 mm ... 10 mm
------------------	----------------

### Housing

Diameter housing	20.2 mm
------------------	---------

### Material specifications

Flammability rating according to UL 94	V0
Seal material	NBR
Material of grip body	Zinc die-cast, nickel-plated
Contact material	CuZn

# SACC-M12FSB-5CON-PG9 SH XL PB - Data connector



1401097

<https://www.phoenixcontact.com/nz/products/1401097>

Contact surface material	Au
Contact carrier material	PA
Material for screw connection	Zinc die-cast, nickel-plated

## Connection data

### Conductor connection

Connection method	Screw connection
Connection cross section	0.25 mm <sup>2</sup> ... 0.75 mm <sup>2</sup> (without ferrule)
	0.14 mm <sup>2</sup> ... 0.75 mm <sup>2</sup> (with ferrule)
	0.25 mm <sup>2</sup> ... 0.75 mm <sup>2</sup> (solid)
Connection cross section AWG	24 ... 18 (without ferrule)
	26 ... 20 (with ferrule)
Stripping length of the individual wire	5 mm
Tightening torque	0.4 Nm (M12 knurl)
	0.2 Nm (Screw terminal blocks)
	1 Nm ... 1.4 Nm (Pressure nut with 8 mm ... 12 mm external cable diameter)

## Electrical properties

Rated surge voltage	1.5 kV
Contact resistance	≤ 3 mΩ
Insulation resistance	≥ 100 MΩ
Nominal voltage U <sub>N</sub>	48 V AC
	60 V DC
Nominal current I <sub>N</sub>	4 A

## Mechanical properties

### Mechanical data

Insertion/withdrawal cycles	≥ 100
-----------------------------	-------

## Connector

### Connection 1

Head design	Socket
Head cable outlet	straight
Head thread type	M12
Coding	B

## Cable/line

Signal type/category	PROFIBUS
	INTERBUS
Stripping length of the individual wire	5 mm

## Environmental and real-life conditions

# SACC-M12FSB-5CON-PG9 SH XL PB - Data connector



1401097

<https://www.phoenixcontact.com/nz/products/1401097>

## Ambient conditions

Degree of protection	IP67
Ambient temperature (operation)	-40 °C ... 85 °C (Plug / socket)

## Standards and regulations

Standard designation	M12 connector
Standards/specifications	IEC 61076-2-101

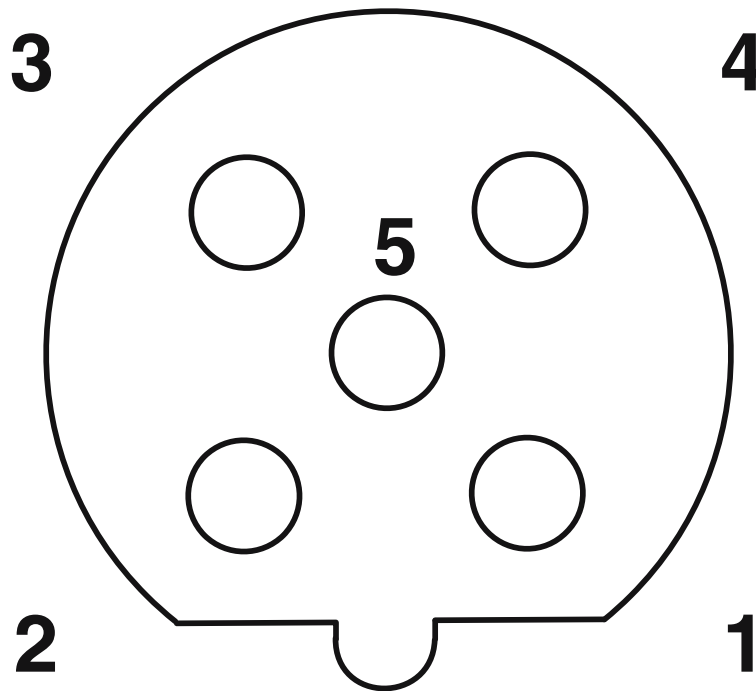
# SACC-M12FSB-5CON-PG9 SH XL PB - Data connector

1401097

<https://www.phoenixcontact.com/nz/products/1401097>

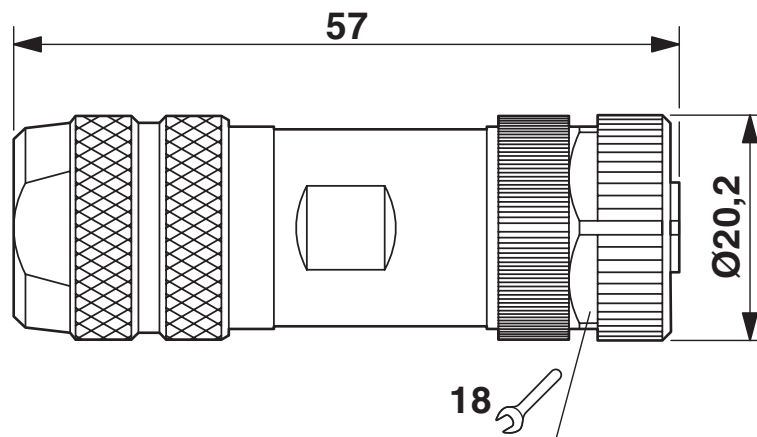
## Drawings

Schematic diagram



Pin assignment M12 socket, 5-pos., B-coded, female side

Dimensional drawing



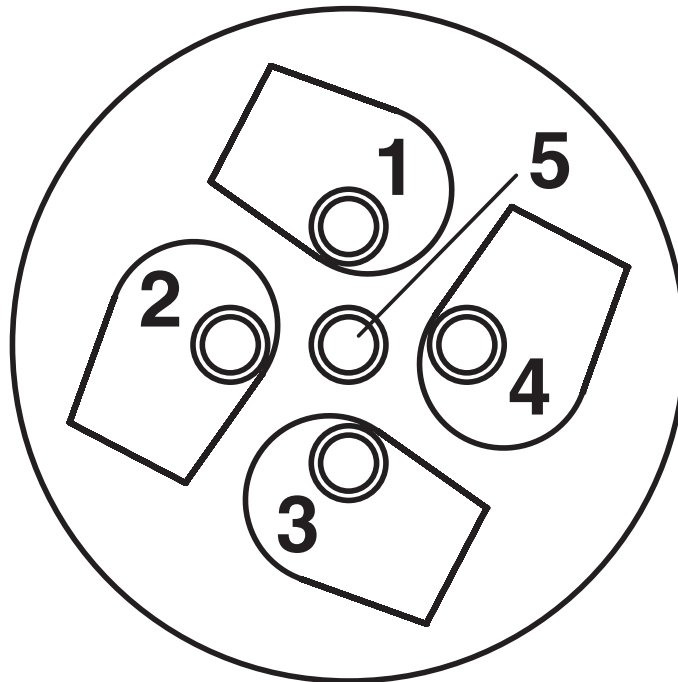
M12 x 1 socket, straight, shielded

# SACC-M12FSB-5CON-PG9 SH XL PB - Data connector

1401097

<https://www.phoenixcontact.com/nz/products/1401097>

Schematic diagram



Cable connection side M12 (screw connection)

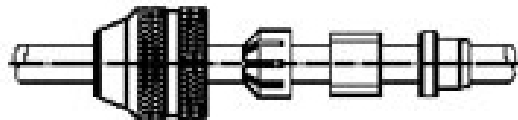
# SACC-M12FSB-5CON-PG9 SH XL PB - Data connector

1401097

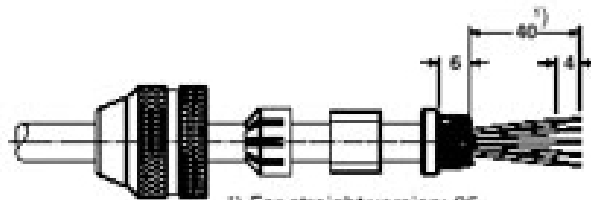
<https://www.phoenixcontact.com/nz/products/1401097>

Functional drawing

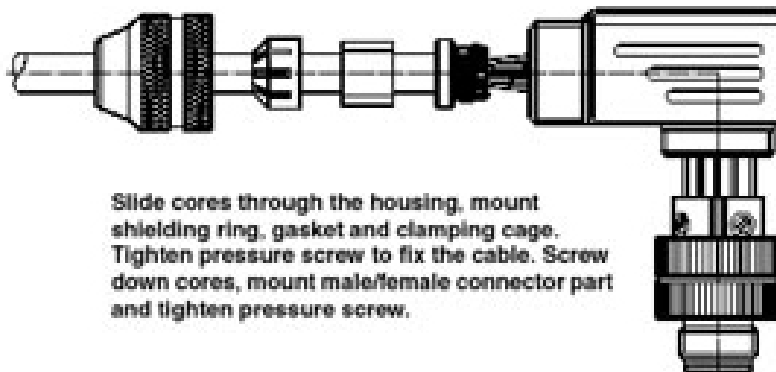
## Assembly steps for M 12 male/female connector and conductor



Slide parts onto the conductor



Strip conductor, widen shield and lay around the shielding ring, cut off projecting mesh.



Slide cores through the housing, mount shielding ring, gasket and clamping cage. Tighten pressure screw to fix the cable. Screw down cores, mount male/female connector part and tighten pressure screw.

# SACC-M12FSB-5CON-PG9 SH XL PB - Data connector





1401097

<https://www.phoenixcontact.com/nz/products/1401097>

## Approvals

To download certificates, visit the product detail page: <https://www.phoenixcontact.com/nz/products/1401097>

 <b>cUL Recognized</b> Approval ID: FILE E 221474				
	Nominal voltage $U_N$	Nominal current $I_N$	Cross section AWG	Cross section $mm^2$
	60 V	4 A	-	-

 <b>UL Recognized</b> Approval ID: FILE E 221474				
	Nominal voltage $U_N$	Nominal current $I_N$	Cross section AWG	Cross section $mm^2$
	60 V	4 A	-	-

**cULus Recognized**



# SACC-M12FSB-5CON-PG9 SH XL PB - Data connector



1401097

<https://www.phoenixcontact.com/nz/products/1401097>

## Classifications

### ECLASS

ECLASS-11.0	27440102
ECLASS-12.0	27440116
ECLASS-13.0	27440116

### ETIM

ETIM 9.0	EC002635
----------	----------

### UNSPSC

UNSPSC 21.0	39121400
-------------	----------

# SACC-M12FSB-5CON-PG9 SH XL PB - Data connector



1401097

<https://www.phoenixcontact.com/nz/products/1401097>

## Environmental product compliance

REACH SVHC	Lead 7439-92-1
China RoHS	Environmentally Friendly Use Period = 50 years
	For information on hazardous substances, refer to the manufacturer's declaration available under "Downloads"

Phoenix Contact 2024 © - all rights reserved

<https://www.phoenixcontact.com>

PHOENIX CONTACT Ltd

Unit 15C, 906-930 Great South Road, Penrose

Auckland 1061

0508 474 636

[sales@phoenixcontact.co.nz](mailto:sales@phoenixcontact.co.nz)